

Compashield® splice quality requirements:

No reduction of the shielding properties in the splicing area. Splicing rubber thin and conductive.

No flash, porosity or excess rubber at the joint after splicing.

Max increase of compression force in the splicing area 5%. No excess splicing rubber inside hollow profiles.

Joining point should stand for 10% stretch without mechanical damage

Cross-section area

10 mm²

A

A

B

B

C

C

D

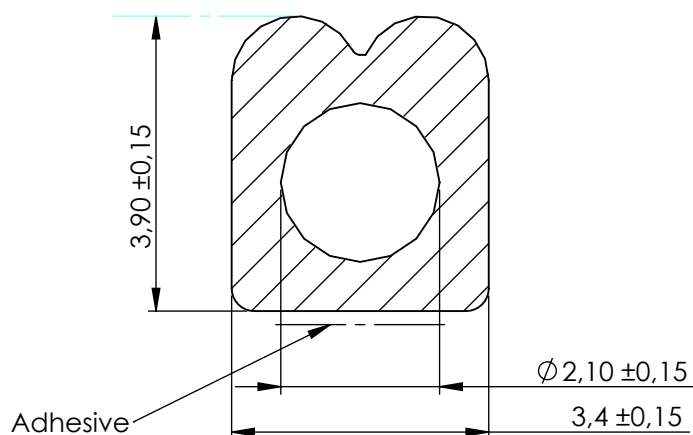
D

E

E

F

F



Art.nr	Material	Lenght	Weight/m	Splice
9000134	Adhesive			
1194000	1540	Roll	10,5g	No
1194001		1190 ±5 mm		Yes
1194002		1390 +0/-3 mm		Yes

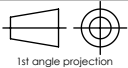
REVISIONS

REV.	DATE	DESCRIPTION



Document name

Compashield Special profile

	Sheet scale 1:10	Sheet size A4	Document no. P1940:12:001	Rev no. F	Nolato art. no. 1194000	Customer no.
General tolerances ISO 3302-1 Class M3F			Drawn by S.Muhonen	Checked by R.Axäng		Date 2012-08-16
Reference cad data					Part version no.	