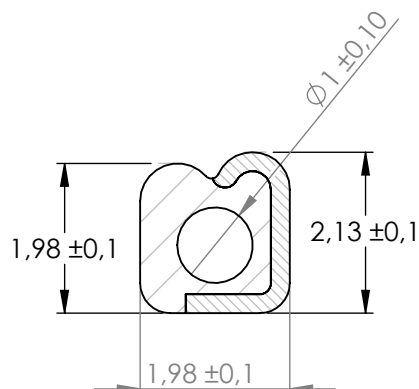


**Compashield® splice quality requirements:**

No reduction of the shielding properties in the splicing area. Splicing rubber thin and conductive.  
 No flash, porosity or excess rubber at the joint after splicing.  
 Max increase of compression force in the splicing area 5%. No excess splicing rubber inside hollow profiles.  
 Joining point should stand for 10% stretch without mechanical damage

**Cross-section area**0.94mm<sup>2</sup>**Electrial resistance measure:**

Methode: Nolato R3 Max:150 mOhm

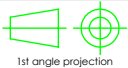


REVISIONS			Art.nr	Material	Lenght	Weight/m	Splice
REV.	DATE	DESCRIPTION	1193000	8651/1540	Roll	2g / 2,5g	No
B	130326	Minor changes	1193001		218mm		Yes
C	131021	New splicing lengths added. //PÅ	1193002		228±2mm		Yes
			1193003		510±3mm		Yes



Document name

Compashield EE

 1st angle projection	Sheet scale 10:1	Sheet size A4	Document no. P1930:12:001	Rev no. E	Nolato art. no. 1193000	Customer no.
General tolerances  ISO 3302-1 M3			Drawn by T.Nilsson	Checked by P.Åkerberg	Date 2012-08-20	
Reference cad data					Part version no.	