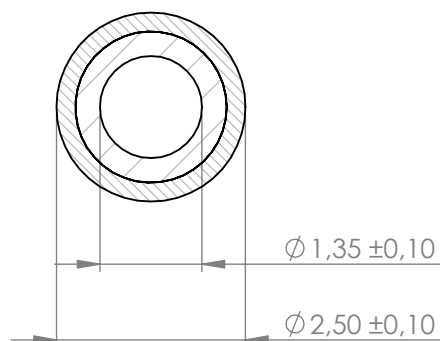


**Compashield® splice quality requirements:**

No reduction of the shielding properties in the splicing area. Splicing rubber thin and conductive.  
 No flash, porosity or excess rubber at the joint after splicing.  
 Max increase of compression force in the splicing area 5%. No excess splicing rubber inside hollow profiles.  
 Joining point should stand for 10% stretch without mechanical damage

**Cross-section area**1.77mm<sup>2</sup>**Electrial resistance measure:**

Methode: Nolato R3 Max:300 mOhm



REVISIONS			Art.nr	Material	Lenght	Weight/m	Splice
REV.	DATE	DESCRIPTION	1191000	8648 /1540	Roll	3,8g / 1,5g	No
B	130326	Minor changes					

		Document name				
		Compashield Soft Hollow O-shape				
Sheet scale	Sheet size	Document no.	Rev no.	Nalato art. no.	Customer no.	
10:1	A4	P1910:12:001	C	1191000		
General tolerances		Drawn by	Checked by	Date		
ISO 3302-1 M3		T.Nilsson	P.Åkerberg	2012-05-02		
Reference cad data			Tool nr:			
			Di=1,4 Mp=2,2 Fp=2,5			