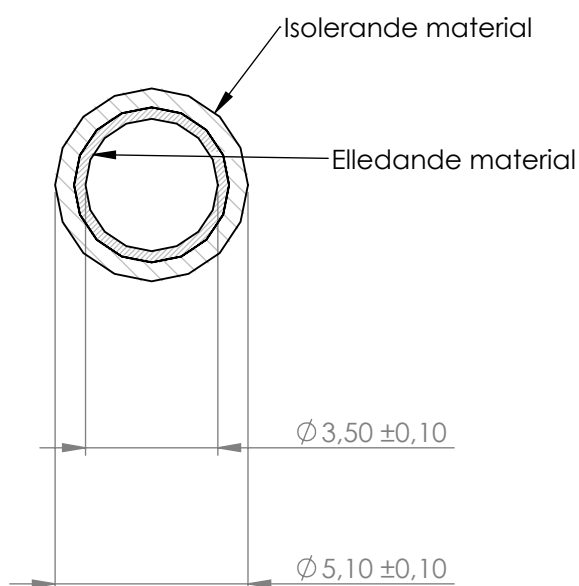


Compashield® splice quality requirements:


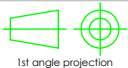
No reduction of the shielding properties in the splicing area. Splicing rubber thin and conductive.
 No flash, porosity or excess rubber at the joint after splicing.
 Max increase of compression force in the splicing area 5%. No excess splicing rubber inside hollow profiles.
 Joining point should stand for 10% stretch without mechanical damage

Cross-section area**3,6 mm²****Electrial resistance measure:**

Methode: Nolato R3 Max: 500 mOhm measured on 5 mm long gasket



REVISIONS			Art.nr	Material	Lenght	Weight/m	Splice
REV.	DATE	DESCRIPTION	1189100	8648 /1540	Roll	8,5g / 8 g	No
B	130327	Minor changes	1189101		144 +/-2 mm		No

		Document name					
		Compashield Soft Hollow O-shape					
		Sheet scale	Sheet size	Document no.	Rev no.	Nolato art. no.	Customer no.
		5:1	A4	P1891:12:001	C	1189100	
General tolerances			Drawn by		Checked by		Date
ISO 3302 M3			S.Muhonen		P.Brock		2012-04-03
			Reference cad data			Tool No.	
			1891_Soft Inverterad_120329			P1891	