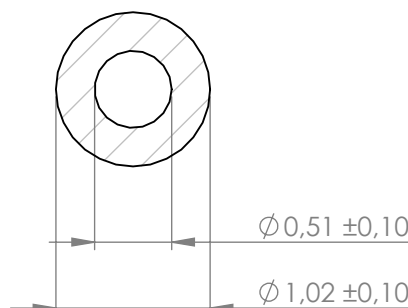


Compashield® splice quality requirements:

No reduction of the shielding properties in the splicing area. Splicing rubber thin and conductive.
 No flash, porosity or excess rubber at the joint after splicing.
 Max increase of compression force in the splicing area 5%. No excess splicing rubber inside hollow profiles.
 Joining point should stand for 10% stretch without mechanical damage

Cross-section area0.61mm ²**Electrial resistance measure:**

Methode: Nolato R3 Max: 150 mOhm

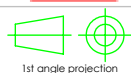


Art.nr	Material	Lenght	Weight/m	Splice
1187400	8651	Roll	2g	No

**Nolato**

Document name

Compashield Hollow O-shape



1st angle projection

Sheet scale
20:1Sheet size
A4Document no.
P1874:12:001Rev no.
BNolato art. no.
1187400

Customer no.

General tolerances

Drawn by
T.Nilsson

Checked by

Date
2012-02-29

SS-ISO 2768 m

Reference cad data

Tool Nr:
Kärna 0,7mm Ytter 1,2mm