

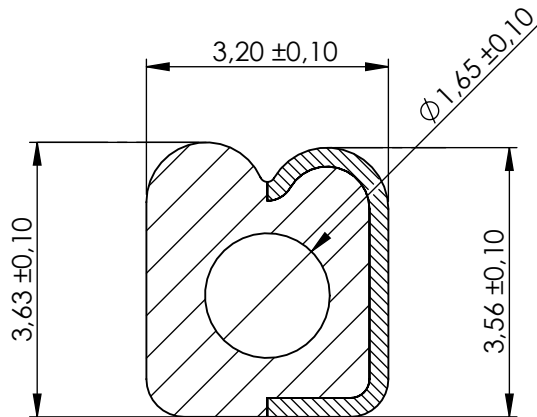
Compashield® splice quality requirements:

No reduction of the shielding properties in the splicing area. Splicing rubber thin and conductive.
 No flash, porosity or excess rubber at the joint after splicing.
 Max increase of compression force in the splicing area 5%. No excess splicing rubber inside hollow profiles.
 Joining point should stand for 10% stretch without mechanical damage


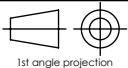
Electrial resistance measure:

Methode: Nolato R3 Max:150 mOhm

Cross-section area

1.77mm²

REV.		DATE		REVISIONS DESCRIPTION		Art.nr	Material	Lenght	Weight/m	Splice
B	120312			Change spec. for adhesive		1186500	8651/1540	Roll	4g/8g	No
C	120418			Adhesive removed		1186501		619,35		Yes
D	120418			1186501 added						
E	130328			Minor changes						
G	140109			Conductive material changed from 8655 to 8651						

 Nolato		Document name				Compashield EE				
 1st angle projection		Sheet scale	Sheet size	Document no.	Rev no.	Nalato art. no.	Customer no.			
		10:1	A4	P1865:12:001	G	1186500				
General tolerances				Drawn by		Checked by		Date		
ISO 3302-1 M3				T.Nilsson		R.Axäng		2012-03-12		
Reference cad data						Part version no.				
						1865				