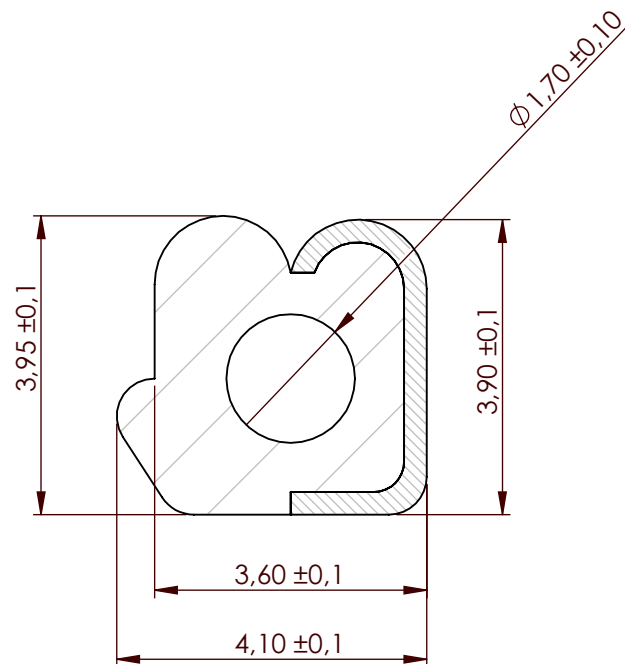
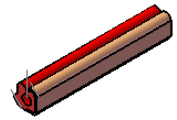


Compashield® splice quality requirements:

No reduction of the shielding properties in the splicing area. Splicing rubber thin and conductive.
 No flash, porosity or excess rubber at the joint after splicing.
 Max increase of compression force in the splicing area 5%. No excess splicing rubber inside hollow profiles.
 Joining point should stand for 10% stretch without mechanical damage

Cross-section area1,98mm²**Electrial resistance measure:**

Methode: Nolato R3 Max:300 mOhm



A

A

B

B

C

C

D

D

E

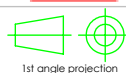
E

REVISIONS			Art.nr	Material	Lenght	Weight/m	Splice
REV.	DATE	DESCRIPTION	1185800	8648/1540	Roll	4g/10,5g	No

**Nolato**

Document name

Compashield EE



1st angle projection

Sheet scale
10:1Sheet size
A4Document no.
P1858:12:001Rev no.
CNolato art. no.
1185800

Customer no.

General tolerances

Drawn by
T.Nilsson

Checked by

Date
2012-02-20

ISO 3302-1 M3

Reference cad data

Part version no.

F

F