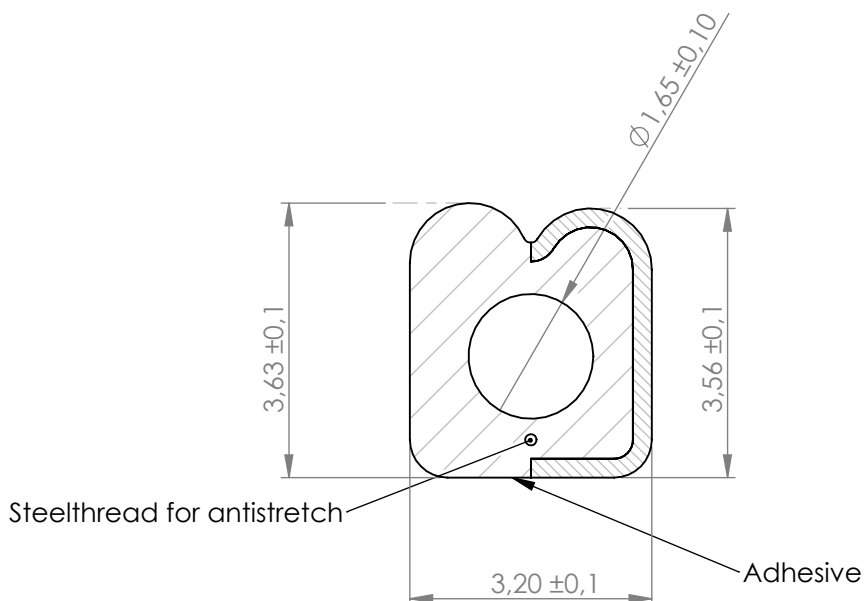
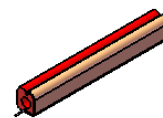


Compashield® splice quality requirements:

No reduction of the shielding properties in the splicing area. Splicing rubber thin and conductive.
 No flash, porosity or excess rubber at the joint after splicing.
 Max increase of compression force in the splicing area 5%. No excess splicing rubber inside hollow profiles.
 Joining point should stand for 10% stretch without mechanical damage

Cross-section area1.49mm ²**Electrial resistance measure:**

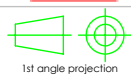
Methode: Nolato R3 Max: 150 mOhm



Art.nr	Material	Lenght	Weight/m	Splice
1184400	1540/8651	Roll	9g / 4g	No
1184401		826mm		Yes

**Nolato**

Document name

Compashield EE

1st angle projection

Sheet scale
10:1Sheet size
A4Document no.
P1844:12:001Version no.
CNalato art. no.
1184400

Customer no.

General tolerances

Drawn by
T.NilssonChecked by
S.MuhonenDate
2012-01-12

SS-ISO 2768 m

Reference cad data

Part version no.