

Compashield® splice quality requirements:

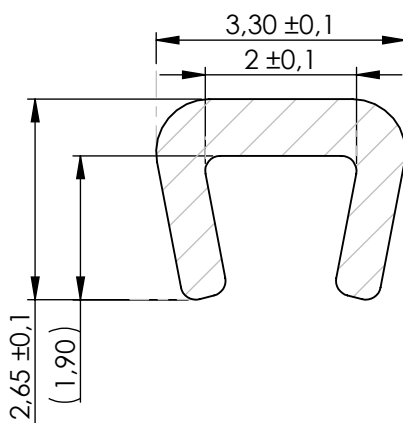
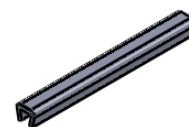
No reduction of the shielding properties in the splicing area. Splicing rubber thin and conductive.
 No flash, porosity or excess rubber at the joint after splicing.
 Max increase of compression force in the splicing area 5%. No excess splicing rubber inside hollow profiles.
 Joining point should stand for 10% stretch without mechanical damage

Cross-section area

4.54

Electrial resistance measure:

Methode: Nolato R3 Max:300 mOhm

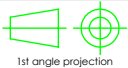


REVISIONS			Art.nr	Material	Lenght	Weight/m	Splice
REV.	DATE	DESCRIPTION	1183600	8642	Roll	8g	No
B	130328	Minor changes					



Document name

Compashield U-shape

 1st angle projection	Sheet scale 10:1	Sheet size A4	Document no. P1836:12:001	Rev no. C	Nolato art. no. 1183600	Customer no.
General tolerances ISO 3302-1 M3			Drawn by T.Nilsson	Checked by P.Åkerberg	Date 2012-01-12	
Reference cad data					Part version no.	