

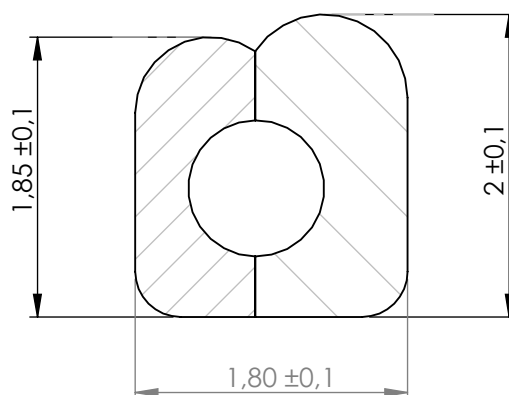
Compashield® splice quality requirements:

No reduction of the shielding properties in the splicing area. Splicing rubber thin and conductive.
 No flash, porosity or excess rubber at the joint after splicing.
 Max increase of compression force in the splicing area 5%. No excess splicing rubber inside hollow profiles.
 Joining point should stand for 10% stretch without mechanical damage


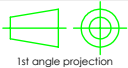
Cross-section area

1.1mm²**Electrial resistance measure:**

Methode: Nolato R3 Max:150 mOhm



REVISIONS			Art.nr	Material	Lenght	Weight/m	Splice
REV.	DATE	DESCRIPTION	1181100	8651 /1540	Roll	2,6g/1,8g	No
A	130328	New drawing					

		Document name Compashield EE					
		Sheet scale 10:1	Sheet size A4	Document no. P1811:13:001	Rev no. B	Nalato art. no. 1181100	Customer no.
General tolerances ISO 3302-1 M3			Drawn by S.Muhonen		Checked by P.Åkerberg		Date 2013-03-28
Reference cad data					Part version no.		