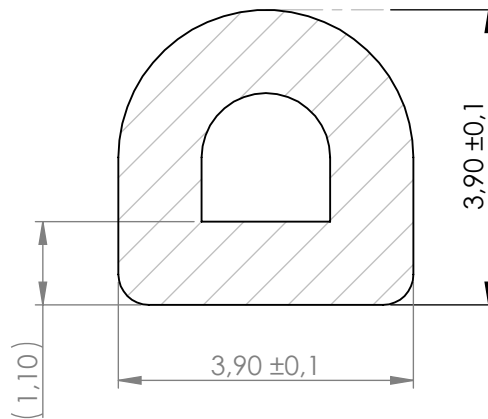


**Compashield® splice quality requirements:**


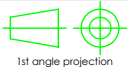
No reduction of the shielding properties in the splicing area. Splicing rubber thin and conductive.  
 No flash, porosity or excess rubber at the joint after splicing.  
 Max increase of compression force in the splicing area 5%. No excess splicing rubber inside hollow profiles.  
 Joining point should stand for 10% stretch without mechanical damage

**Cross-section area****6.60mm<sup>2</sup>****Electrial resistance measure:**

Methode: Nolato R3 Max:150 mOhm



REVISIONS			Art.nr	Material	Lenght	Weight/m	Splice
REV.	DATE	DESCRIPTION	1180300	8651	Roll	15,5g	No
B	130328	Minor changes					

		Document name					
		Compashield Hollow D-shape					
		Sheet scale	Sheet size	Document no.	Rev no.	Nalato art. no.	Customer no.
		10:1	A4	P1803:11:001	C	1180300	
General tolerances			Drawn by	Checked by	Date		
ISO 3302-1 M3			T.Nilsson	P.Akerberg	2011-11-04		
Reference cad data				Part version no.			