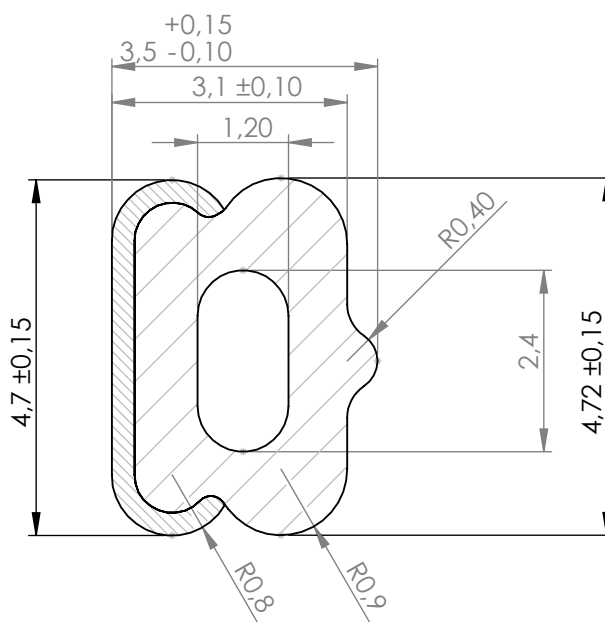


Compashield® splice quality requirements:

No reduction of the shielding properties in the splicing area. Splicing rubber thin and conductive.
 No flash, porosity or excess rubber at the joint after splicing.
 Max increase of compression force in the splicing area 5%. No excess splicing rubber inside hollow profiles.
 Joining point should stand for 10% stretch without mechanical damage

Cross-section area1,95mm²**Electrial resistance measure:**

Methode: Nolato R3 Max:300 mOhm

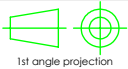


REVISIONS			Art.nr	Material	Lenght	Weight/m	Splice
REV.	DATE	DESCRIPTION	1179900	8648 /1540	Roll	5g/11g	No
B	120109	Length 310 to 325mm on -01	1179901	8648/1540	325±2		Yes
C	130612	Minor changes	1179902	8648/1540	1480±5		Yes



Document name

Compashield EE

 1st angle projection	Sheet scale 10:1	Sheet size A4	Document no. P1799:11:001	Rev no. D	Nolato art. no. 1179900	Customer no.
General tolerances ISO 3302-1 M3			Drawn by S.Muhonen	Checked by P.Akerberg	Date 2011-01-14	
Reference cad data					Part version no.	