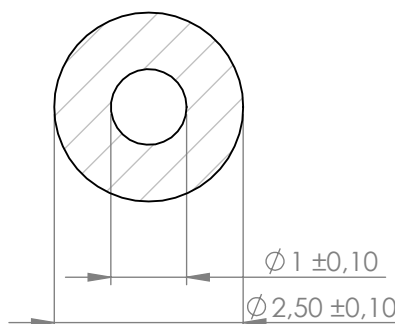


**Compashield® splice quality requirements:**

No reduction of the shielding properties in the splicing area. Splicing rubber thin and conductive.  
 No flash, porosity or excess rubber at the joint after splicing.  
 Max increase of compression force in the splicing area 5%. No excess splicing rubber inside hollow profiles.  
 Joining point should stand for 10% stretch without mechanical damage

**Cross-section area**4,12mm<sup>2</sup>**Electrial resistance measure:**

Methode: Nolato R3 Max:300 mOhm



REV.	DATE	DESCRIPTION	Art.nr	Material	Lenght	Weight/m	Splice
REVISIONS			1179800	8642	Roll	10g	No
B	130612	Minor changes	1179801	8642	97±1,5		Yes

		Document name				
		Compashield Hollow O-shape				
Sheet scale	Sheet size	Document no.	Rev no.	Nalato art. no.	Customer no.	
10:1	A4	P1798:11:001	C	1179800		
General tolerances		Drawn by	Checked by		Date	
ISO 3302-1 M3		T.Nilsson	P.Akerberg		2011-10-14	
Reference cad data				Part version no.		