

**Compashield® splice quality requirements:**

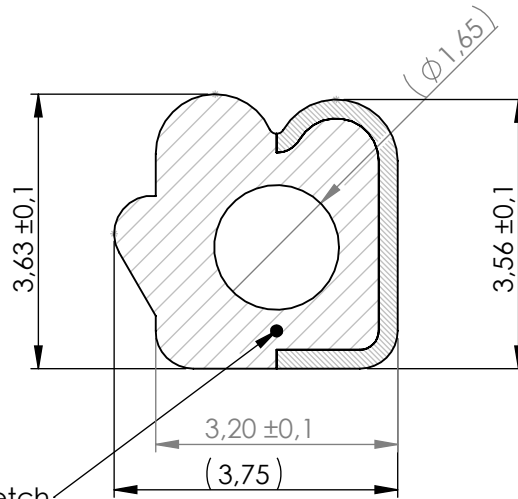
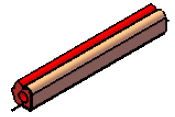
No reduction of the shielding properties in the splicing area. Splicing rubber thin and conductive.  
No flash, porosity or excess rubber at the joint after splicing.  
Max increase of compression force in the splicing area 5%. No excess splicing rubber inside hollow profiles.  
Joining point should stand for 10% stretch without mechanical damage

**Cross-section area**

1,49mm<sup>2</sup>

**Electrial resistance measure:**

Methode: Nolato R3 Max:150 mOhm



Steelwire for antistretch

REVISIONS		
REV.	DATE	DESCRIPTION
B	130613	Minor changes
D	140926	Material changed
F	170321	Splicing length added // JB

Art.nr	Material	Lenght	Weight/m	Splice
6900044	Steelwire			
1179000	8651/1540	Roll	4g/9g	No
1179001		826 mm		Yes
1179002		100 ±1 mm		No
1179003		144 ±3 mm		Yes
1179004		106 ±3mm		Yes



Document name  
**Compashield EE Anti-Stretch**

	Sheet scale <b>10:1</b>	Sheet size <b>A4</b>	Document no. <b>P1790:11:001</b>	Rev no. <b>F</b>	Nolato art. no. <b>1179000</b>	Customer no.
General tolerances <b>ISO 3302-1 M3</b>			Drawn by <b>T.Nilsson</b>	Checked by <b>P.Akerberg</b>		Date <b>2011-09-22</b>
Reference cad data					Part version no.	