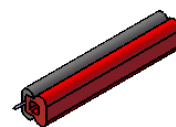


**Compashield® splice quality requirements:**

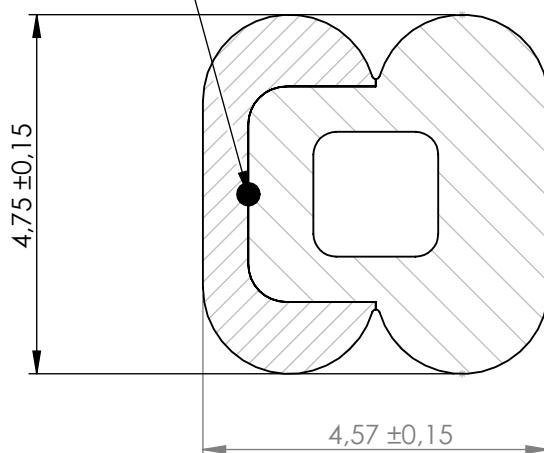
No reduction of the shielding properties in the splicing area. Splicing rubber thin and conductive.  
 No flash, porosity or excess rubber at the joint after splicing.  
 Max increase of compression force in the splicing area 5%. No excess splicing rubber inside hollow profiles.  
 Joining point should stand for 10% stretch without mechanical damage

**Cross-section area**5,05mm<sup>2</sup>**Electrial resistance measure:**


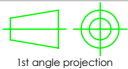
Methode: Nolato R3 Max:300 mOhm



Steelwire for antistretch



REVISIONS			Art.nr	Material	Lenght	Weight/m	Splice
REV.	DATE	DESCRIPTION	6900044	Steelwire			
B	130613	Minor changes	1178600	8648/1540	Roll	11g/14g	No

		Document name Compashield EE Anti-Stretch					
		Sheet scale 10:1	Sheet size A4	Document no. P1786:11:001	Rev no. C	Nolato art. no. 1178600	Customer no.
General tolerances ISO 3302-1 M3				Drawn by T.Nilsson	Checked by P.Akerberg	Date 2011-09-19	
Reference cad data					Part version no.		