

Compashield® splice quality requirements:

No reduction of the shielding properties in the splicing area. Splicing rubber thin and conductive.

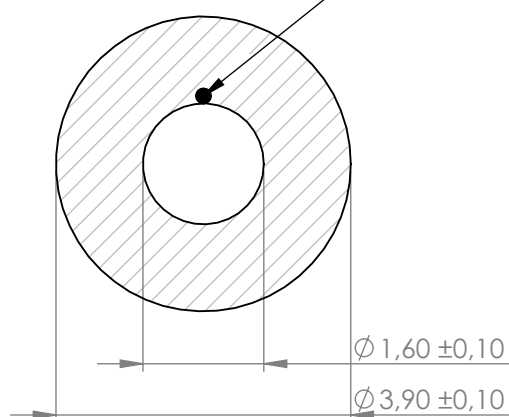
No flash, porosity or excess rubber at the joint after splicing.

Max increase of compression force in the splicing area 5%. No excess splicing rubber inside hollow profiles.

Joining point should stand for 10% stretch without mechanical damage

Cross-section area9,94mm²

Steelwire for antistretch

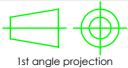


REV.	DATE	DESCRIPTION	Art.nr	Material	Lenght	Weight/m	Splice
REVISIONS			6900044	Steelwire			
B	120320	Changes to steelwire	1178200	1540	Roll	12g	No
C	130620	Minor changes	1178201	1540	1469		Yes
			1178202	1540	1397		Yes



Document name

Compashield Hollow O-shape Anti-Stretch

 1st angle projection	Sheet scale 10:1	Sheet size A4	Document no. P1782:11:001	Rev no. D	Nolato art. no. 1178200	Customer no.
General tolerances ISO 3302-1 M3			Drawn by T.Nilsson	Checked by P.Akerberg	Date 2012-03-20	
Reference cad data				Part version no.		