

Compashield® splice quality requirements:

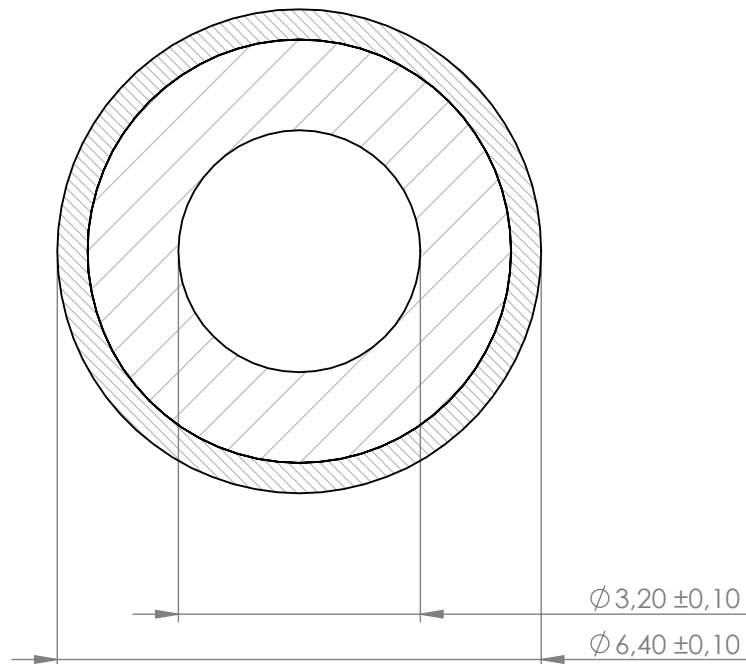
No reduction of the shielding properties in the splicing area. Splicing rubber thin and conductive.
No flash, porosity or excess rubber at the joint after splicing.
Max increase of compression force in the splicing area 5%. No excess splicing rubber inside hollow profiles.
Joining point should stand for 10% stretch without mechanical damage

Cross-section area

7,54mm²

Electrial resistance measure:

Methode: Nolato R3 Max:300 mOhm



REVISIONS			Art.nr	Material	Lenght	Weight/m	Splice
REV.	DATE	DESCRIPTION	1177700	8648 /1540	Roll	16g/20g	No
B	130613	Minor changes					

		Document name Compashield Soft Hollow O-shape					
	Sheet scale 10:1	Sheet size A4	Document no. P1777:11:001	Rev no. C	Nalato art. no. 1177700	Customer no.	
General tolerances ISO 3302-1 M3			Drawn by T.Nilsson	Checked by P.Akerberg	Date 2011-08-29		
Reference cad data					Part version no.		