

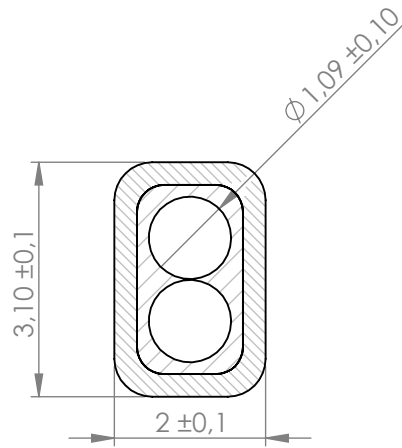
Compashield® splice quality requirements:

No reduction of the shielding properties in the splicing area. Splicing rubber thin and conductive.
No flash, porosity or excess rubber at the joint after splicing.
Max increase of compression force in the splicing area 5%. No excess splicing rubber inside hollow profiles.
Joining point should stand for 10% stretch without mechanical damage

Cross-section area
2,6mm²

Electrial resistance measure:

Methode: Nolato R3 Max:300 mOhm



A

A

B

B

C

C


D

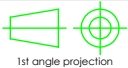
D

E

E

REVISIONS		Art.nr	Material	Lenght	Weight/m	Splice
REV.	DATE	DESCRIPTION	1176100	8648/1540	Roll	6,5g/1,7g
B	130813	Minor changes				No
C	130816	New document name				

 **Nolato** Document name: **Compashield Special Profile**

	Sheet scale 10:1	Sheet size A4	Document no. P1761:12:001	Rev no. D	Nalato art. no. 1176100	Customer no.
General tolerances ISO 3302-1 M3			Drawn by S.Muhonen	Checked by P.Akerberg	Date 2012-03-23	
Reference cad data				Part version no.		

F

F