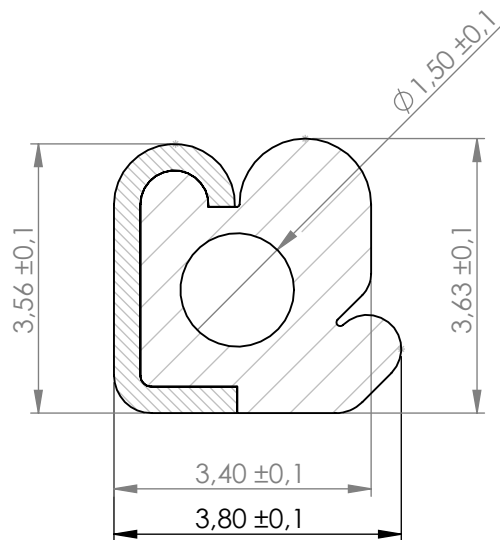


Compashield® splice quality requirements:


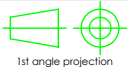
No reduction of the shielding properties in the splicing area. Splicing rubber thin and conductive.
 No flash, porosity or excess rubber at the joint after splicing.
 Max increase of compression force in the splicing area 5%. No excess splicing rubber inside hollow profiles.
 Joining point should stand for 10% stretch without mechanical damage

Cross-section area2,06mm²**Electrial resistance measure:**

Methode: Nolato R3 Max:300 mOhm



REVISIONS			Art.nr	Material	Lenght	Weight/m	Splice
REV.	DATE	DESCRIPTION	1170100	8648/1540	Roll	2g/7,8g	No
B	130614	Minor changes	1170101	8648/1540	1456 mm		Yes
			1170102	8648/1540	1446 mm		Yes

		Document name Compashield EE					
		Sheet scale 10:1	Sheet size A4	Document no. P1701:11:001	Rev no. C	Nalato art. no. 1170100	Customer no.
General tolerances ISO 3302-1 M3				Drawn by T.Nilsson		Checked by P.Akerberg	Date 2011-02-22
Reference cad data						Part version no.	