

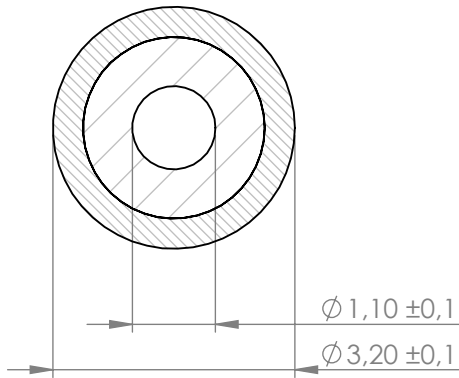
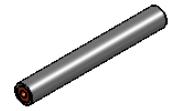
**Compashield® splice quality requirements:**

No reduction of the shielding properties in the splicing area. Splicing rubber thin and conductive.  
No flash, porosity or excess rubber at the joint after splicing.  
Max increase of compression force in the splicing area 5%. No excess splicing rubber inside hollow profiles.  
Joining point should stand for 10% stretch without mechanical damage

**Cross-section area**  
**3,52mm<sup>2</sup>**

**Electrial resistance measure:**

Methode: Nolato R3 Max:300 mOhm



Art.nr	Material	Lenght	Weight/m	Splice
1167700	8648/1540	Roll	7,9g/3,0g	No
1167701	8648/1540	840±2 mm		Yes

REVISIONS		DESCRIPTION
REV.	DATE	
B	130614	Minor changes

		Document name			Compashield Soft Hollow O-shape		
	Sheet scale 10:1	Sheet size A4	Document no. P1677:11:001	Rev no. C	Nalato art. no. 1167700	Customer no.	
General tolerances  ISO 3302-1 M3			Drawn by S.Muhonen	Checked by P.Akerberg		Date 2011-01-12	
Reference cad data				Part version no.			