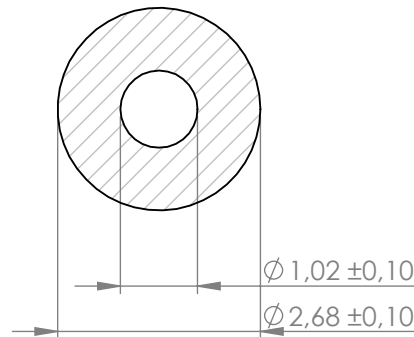


**Compashield® splice quality requirements:**

No reduction of the shielding properties in the splicing area. Splicing rubber thin and conductive.  
 No flash, porosity or excess rubber at the joint after splicing.  
 Max increase of compression force in the splicing area 5%. No excess splicing rubber inside hollow profiles.  
 Joining point should stand for 10% stretch without mechanical damage

**Cross-section area**4,82mm<sup>2</sup>**Electrial resistance measure:**

Methode: Nolato R3 Max:300 mOhm



Art.nr	Material	Lenght	Weight/m	Splice
1167400	8642	Roll	11,6g	No
1167401	8642	331 mm		Yes
1167402	8642	386,8 mm		Yes
1167403	8642	242,4 mm		Yes

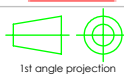
## REVISIONS

REV.	DATE	DESCRIPTION
B	130614	Minor changes

**Nolato**

Document name

Compashield Hollow O-shape



1st angle projection

Sheet scale  
10:1Sheet size  
A4Document no.  
P1674:11:001Rev no.  
CNolato art. no.  
1167400

Customer no.

General tolerances

Drawn by  
S.MuhonenChecked by  
P.AkerbergDate  
2011-01-11

ISO 3302-1 M3

Reference cad data

Part version no.