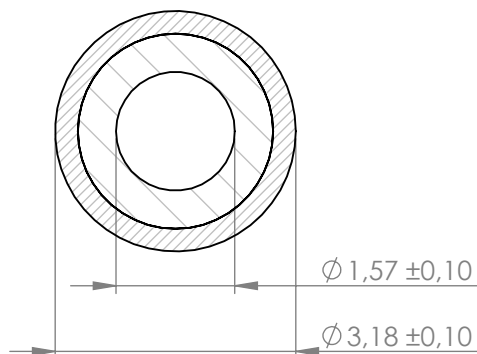


Compashield® splice quality requirements:


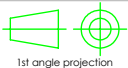
No reduction of the shielding properties in the splicing area. Splicing rubber thin and conductive.
 No flash, porosity or excess rubber at the joint after splicing.
 Max increase of compression force in the splicing area 5%. No excess splicing rubber inside hollow profiles.
 Joining point should stand for 10% stretch without mechanical damage

Cross-section area2.71mm²**Electrial resistance measure:**

Methode: Nolato R3 Max:150 mOhm



REVISIONS			Art.nr	Material	Lenght	Weight/m	Splice
REV.	DATE	DESCRIPTION	1166300	8648 /1540	Roll	6g / 4g	No
			1166301		635±5 mm		Yes

		Document name					
		Compashield Soft Hollow O-shape					
		Sheet scale	Sheet size	Document no.	Rev no.	Nalato art. no.	Customer no.
		10:1	A4	P1663:12:001	B	1166300	
General tolerances				Drawn by	Checked by	Date	
SS-ISO 2768 m				T.Nilsson		2012-08-30	
Reference cad data					Part version no.		