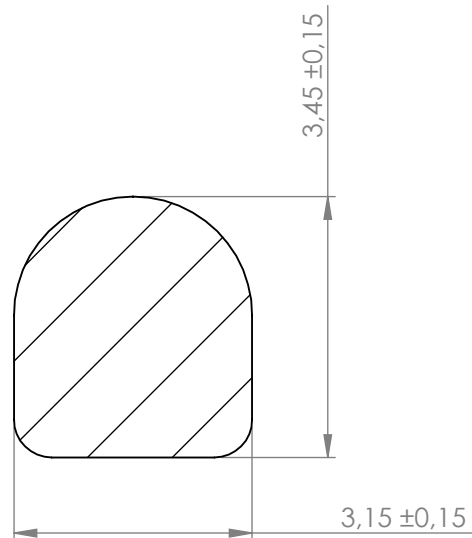
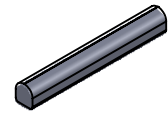


Compashield® splice quality requirements:

No reduction of the shielding properties in the splicing area. Splicing rubber thin and conductive.
 No flash, porosity or excess rubber at the joint after splicing.
 Max increase of compression force in the splicing area 5%. No excess splicing rubber inside hollow profiles.
 Joining point should stand for 10% stretch without mechanical damage

Cross-section area9.7mm ^{^2}**Electrial resistance measure:**

Methode: Nolato R3 Max: 300 mOhm

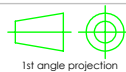


REVISIONS			Art.nr	Material	Lenght	Weight/m	Splice
REV.	DATE	DESCRIPTION	1165700	8642	Roll	23,5 g	No

**Nolato**

Document name

Compashield Solid D-shape



1st angle projection

Sheet scale
10:1Sheet size
A4Document no.
P1657:13:002Rev no.
CNolato art. no.
1165700

Customer no.

General tolerances

Drawn by
S.MuhonenChecked by
P.BrockDate
2013-09-24

ISO 3302-1 M3

Reference cad data

Part version no.