

**Compashield® splice quality requirements:**

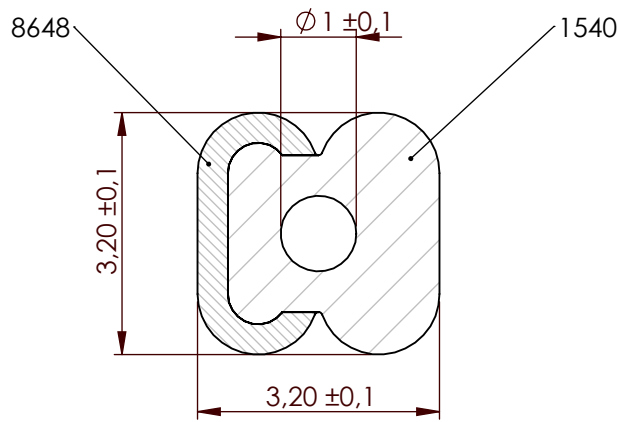
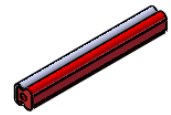
No reduction of the shielding properties in the splicing area. Splicing rubber thin and conductive.  
No flash, porosity or excess rubber at the joint after splicing.  
Max increase of compression force in the splicing area 5%. No excess splicing rubber inside hollow profiles.  
Joining point should stand for 10% stretch without mechanical damage

**Electrial resistance measure:**

Methode: Nolato R3 Max:300 mOhm

**Cross-section area**

8.37 mm<sup>2</sup>



REVISIONS			Art.nr	Material	Lenght	Weight/m	Splice
REV.	DATE	DESCRIPTION	1165600	8648/1540	Roll	4.7g/7g	No

		Document name <b>Compashield EE</b>				
	Sheet scale 10:1	Sheet size A4	Document no. P1656:10:001	Rev no. B	Nolato art. no. 1165600	Customer no.
General tolerances  ISO 3302-1 M3			Drawn by T.Nilsson		Checked by	Date 2010-11-15
Reference cad data					Part version no.	