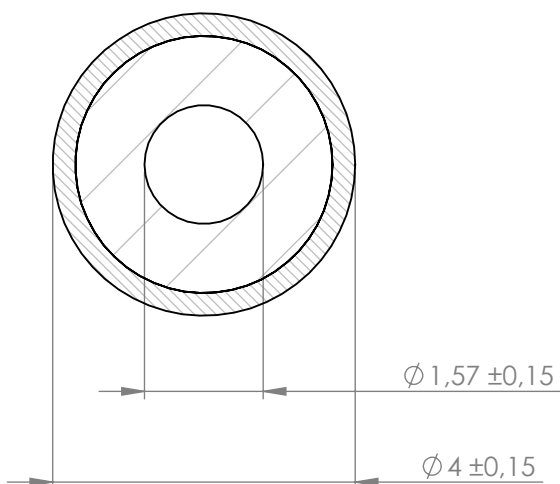


Compashield® splice quality requirements:


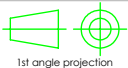
No reduction of the shielding properties in the splicing area. Splicing rubber thin and conductive.
 No flash, porosity or excess rubber at the joint after splicing.
 Max increase of compression force in the splicing area 5%. No excess splicing rubber inside hollow profiles.
 Joining point should stand for 10% stretch without mechanical damage

Cross-section area10.63 mm²**Electrial resistance measure:**

Methode: Nolato R3 Max:300 mOhm



REVISIONS			Art.nr	Material	Lenght	Weight/m	Splice
REV.	DATE	DESCRIPTION	1163100	1540/8648	Roll	9g/7,5g	No

		Document name					
		Compashield Soft Hollow O-shape					
		Sheet scale	Sheet size	Document no.	Rev no.	Nalato art. no.	Customer no.
		10:1	A4	P1631:10:001	B	1163100	
General tolerances				Drawn by	Checked by	Date	
SS-ISO 2768 m				T.Nilsson		2010-05-20	
Reference cad data					Part version no.		