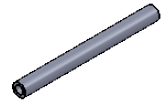


**Compashield® splice quality requirements:**

No reduction of the shielding properties in the splicing area. Splicing rubber thin and conductive.  
No flash, porosity or excess rubber at the joint after splicing.  
Max increase of compression force in the splicing area 5%. No excess splicing rubber inside hollow profiles.  
Joining point should stand for 10% stretch without mechanical damage

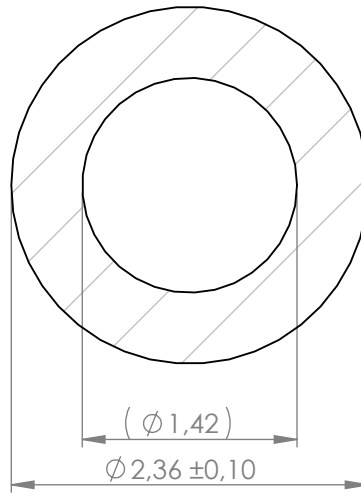
**Cross-section area**

2.79mm ^2



**Electrial resistance measure:**

Methode: Nolato R3 Max:150 mOhm



REVISIONS			Art.nr	Material	Lenght	Weight/m	Splice
REV.	DATE	DESCRIPTION	1161400	8605	Roll	9g	No

		Document name <b>Compashield Hollow O-shape</b>					
	Sheet scale <b>20:1</b>	Sheet size <b>A4</b>	Document no. <b>P1614:10:001</b>	Rev no. <b>B</b>	Nalato art. no. <b>1161400</b>	Customer no.	
General tolerances <b>SS-ISO 2768 m</b>			Drawn by <b>T.Nilsson</b>		Checked by		
			Reference cad data		Date <b>2010-05-20</b>		
					Part version no.		