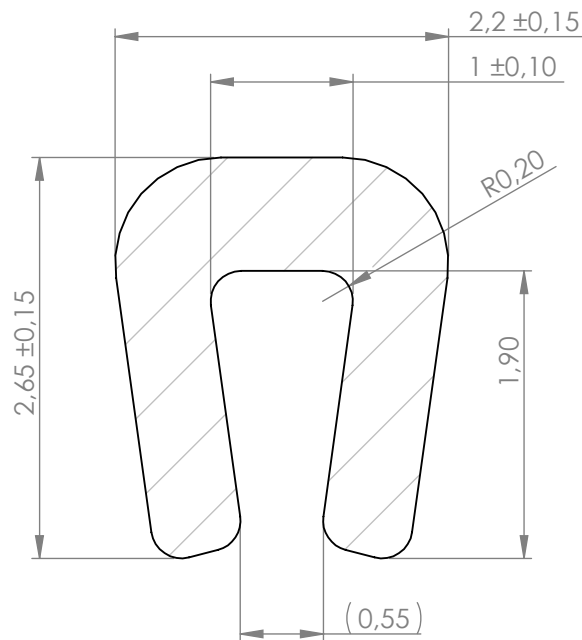
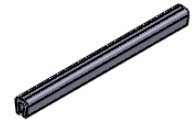


Compashield® splice quality requirements:

No reduction of the shielding properties in the splicing area. Splicing rubber thin and conductive.
 No flash, porosity or excess rubber at the joint after splicing.
 Max increase of compression force in the splicing area 5%. No excess splicing rubber inside hollow profiles.
 Joining point should stand for 10% stretch without mechanical damage

Electrial resistance measure:

Methode: Nolato R3 Max:300 mOhm

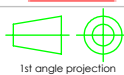
Cross-section area3.69mm ²

REVISIONS			Art.nr	Material	Lenght	Weight/m	Splice
REV.	DATE	DESCRIPTION	1160700	8642	Roll	8g	No
			1160701	8642	245 ± 3		No
			1160702	8642	305 ± 3		No

**Nolato**

Document name

Compashield U-shape



1st angle projection

Sheet scale
20:1Sheet size
A4Document no.
P1607:10:002Rev no.
CNalato art. no.
1160700

Customer no.

General tolerances

Drawn by
T.Nilsson

Checked by

Date
2011-06-21

Reference cad data

Part version no.

SS-ISO 2768 m