

Compashield® splice quality requirements:

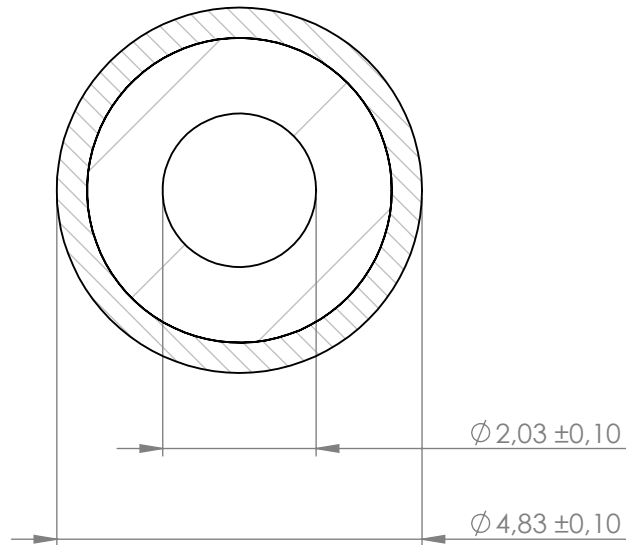
No reduction of the shielding properties in the splicing area. Splicing rubber thin and conductive.
No flash, porosity or excess rubber at the joint after splicing.
Max increase of compression force in the splicing area 5%. No excess splicing rubber inside hollow profiles.
Joining point should stand for 10% stretch without mechanical damage

Cross-section area

15.09 mm²

Electrial resistance measure:

Methode: Nolato R3 Max:300 mOhm



| REVISIONS | | | Art.nr | Material | Lenght | Weight/m | Splice |
|-----------|------|-------------|---------|-----------|--------|-----------|--------|
| REV. | DATE | DESCRIPTION | 1160100 | 8648/8646 | Roll | 12,5/11,5 | No |
| | | | | | | | |

| | | | | | | | |
|-------------------------------------|---------------------|--|------------------------------|--------------|----------------------------|--------------|--------------------|
| | | Document name Compashield Soft Hollow O-shape | | | | | |
| | Sheet scale 10:1 | Sheet size A4 | Document no. P1601:10:001 | Rev no. B | Nalato art. no. 1160100 | Customer no. | |
| General tolerances SS-ISO 2768 m | | | Drawn by T.Nilsson | | Checked by | | Date 2010-04-14 |
| Reference cad data | | | | | Part version no. | | |