

Compashield® splice quality requirements:

No reduction of the shielding properties in the splicing area. Splicing rubber thin and conductive.

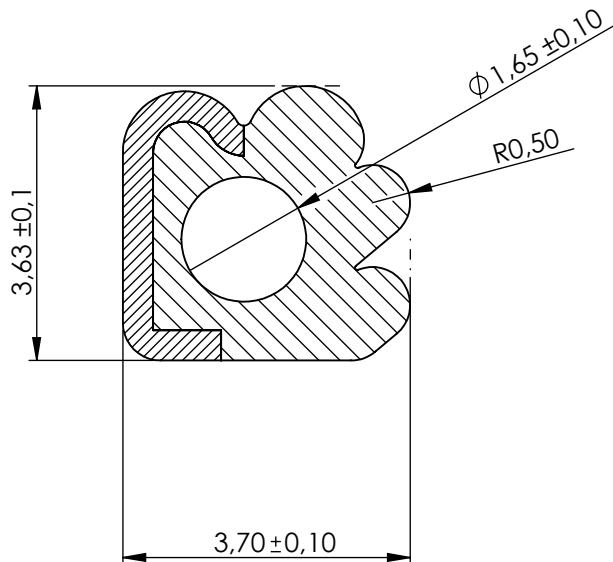
No flash, porosity or excess rubber at the joint after splicing.

Max increase of compression force in the splicing area 5%. No excess splicing rubber inside hollow profiles.

Joining point should stand for 10% stretch without mechanical damage

Electrial resistance measure:

Methode: Nolato R3 Max:150 mOhm



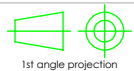
Art.nr	Material	Length	Weight/m	Splice
1159800	8651/1540	Roll	5g/9g	No

REVISIONS		
REV.	DATE	DESCRIPTIONS



Document name

Compashield EE



1st angle projection

Sheet scale
10:1Sheet size
A4Document no.
P1598:10:001Rev no.
ANalato art. no.
1159800

Customer no.

General tolerances

Drawn by
T.Nilsson

Checked by

Date

2010-04-07

ISO 3302-1 M3

Reference cad data

Part version no.