

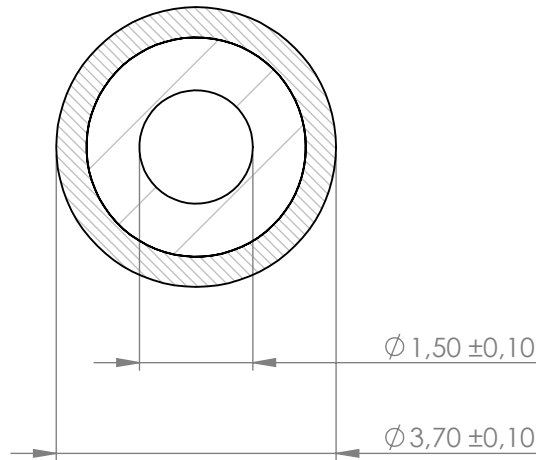
Compashield® splice quality requirements:

No reduction of the shielding properties in the splicing area. Splicing rubber thin and conductive.
No flash, porosity or excess rubber at the joint after splicing.
Max increase of compression force in the splicing area 5%. No excess splicing rubber inside hollow profiles.
Joining point should stand for 10% stretch without mechanical damage

Cross-section area
8.98 mm²

Electrial resistance measure:

Methode: Nolato R3 Max:300 mOhm



REVISIONS			Art.nr	Material	Lenght	Weight/m	Splice
REV.	DATE	DESCRIPTION	115700	8648/1540	Roll	9g/6,5g	No

		Document name Compashield Soft Hollow O-shape					
	Sheet scale 10:1	Sheet size A4	Document no. P1570:10:001	Rev no. B	Nolato art. no. 1157000	Customer no.	
General tolerances SS-ISO 2768 m			Drawn by T.Nilsson		Checked by		
			Reference cad data		Date 2010-01-29		
					Part version no.		