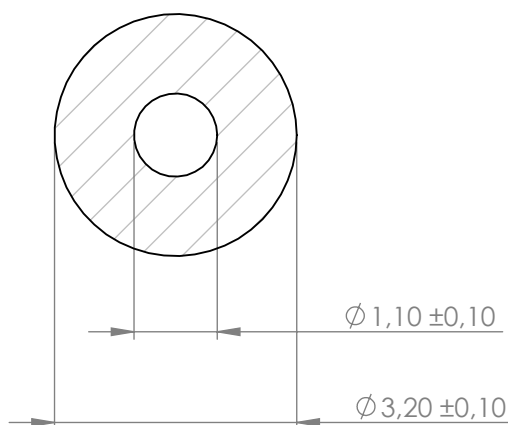
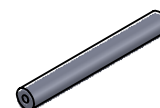


**Compashield® splice quality requirements:**

No reduction of the shielding properties in the splicing area. Splicing rubber thin and conductive.  
 No flash, porosity or excess rubber at the joint after splicing.  
 Max increase of compression force in the splicing area 5%. No excess splicing rubber inside hollow profiles.  
 Joining point should stand for 10% stretch without mechanical damage

**Cross-section area**7.09mm <sup>2</sup>**Electrial resistance measure:**

Methode: Nolato R3 Max:300 mOhm

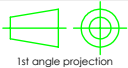


REVISIONS			Art.nr	Material	Lenght	Weight/m	Splice
REV.	DATE	DESCRIPTION	1154000	8642	Roll	15g	No
C	2017-02-15	Material changed					



Document name

Compashield Hollow O-shape

 1st angle projection	Sheet scale 10:1	Sheet size A4	Document no. P1540:10:001	Rev no. C	Nolato art. no. 1154000	Customer no.
General tolerances  SS-ISO 2768 m			Drawn by T.Nilsson	Checked by	Date 2010-01-28	
Reference cad data					Part version no.	