

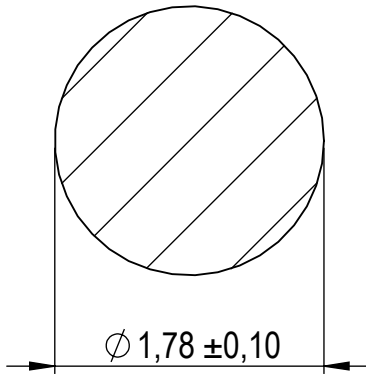
Cross-section area
2.49 mm ²

Compashield® splice quality requirements:

No reduction of the shielding properties in the splicing area. Splicing rubber thin and conductive.
 No flash, porosity or excess rubber at the joint after splicing.
 Max increase of compression force in the splicing area 5%. No excess splicing rubber inside hollow profiles.
 Joining point should stand for 10% stretch without mechanical damage


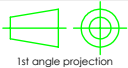
Electrial resistance measure:

Methode: Nolato R3 Max:300 mOhm



Nolato Silikonteknik

REV.	DATE	DESCRIPTION	Art.nr	Material	Length	Weight/m	Splice
REVISIONS			1153700	8642	Roll	6g	No
			1153701		406 ± 1 mm		Yes

	Document name				
	Compashield Solid O-shape				
	Sheet scale	Sheet size	Document no.	Rev no.	Nolato art. no.
	20:1	A4	P1537:10:001	B	1153700
General tolerances			Drawn by	Checked by	Date
SS ISO 3302-1 M3			T.Nilsson	O.Edholm	2010-01-28
			Reference cad data		
			1153700 A CompaShield Solid O-shape		