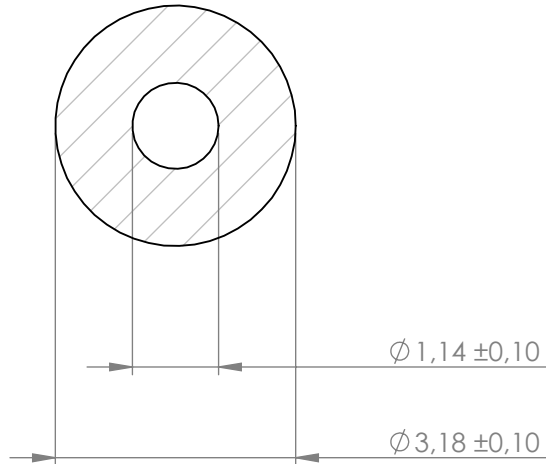
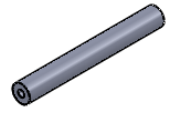


Compashield® splice quality requirements:

No reduction of the shielding properties in the splicing area. Splicing rubber thin and conductive.
 No flash, porosity or excess rubber at the joint after splicing.
 Max increase of compression force in the splicing area 5%. No excess splicing rubber inside hollow profiles.
 Joining point should stand for 10% stretch without mechanical damage

Cross-section area6.92mm ²**Electrial resistance measure:**

Methode: Nolato R3 Max:300 mOhm



Art.nr	Material	Lenght	Weight/m	Splice
1152200	8642	Roll	15g	No
1152201		826		Yes
1152202		306,6		Yes
1152203		431 ±2		Yes
1152204		736		Yes
1152205		1390		Yes
1152206		1050		Yes
1152207		301		Yes
1152208		305		Yes
1152209		91,6±2		Yes
1152210		1508±5		Yes
1152211		482		Yes
1152212		528±4		Yes
1152213		475±2		Yes

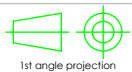
REVISIONS

REV.	DATE	DESCRIPTION



Document name

Compashield Hollow O-shape



1st angle projection

Sheet scale
10:1Sheet size
A4Document no.
P1522:10:001Rev no.
CNolato art. no.
1152200

Customer no.

General tolerances

Drawn by
T.Nilsson

Checked by

Date
2012-03-28

SS-ISO 2768 m

Reference cad data

Part version no.