

**Compashield® splice quality requirements:**

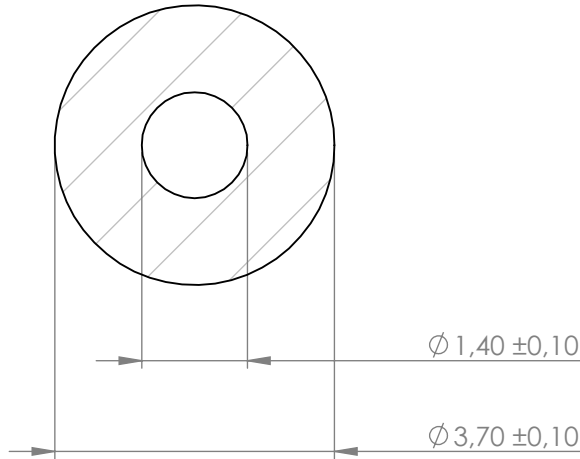
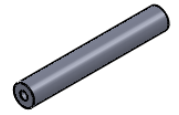
No reduction of the shielding properties in the splicing area. Splicing rubber thin and conductive.  
No flash, porosity or excess rubber at the joint after splicing.  
Max increase of compression force in the splicing area 5%. No excess splicing rubber inside hollow profiles.  
Joining point should stand for 10% stretch without mechanical damage

**Cross-section area**

9.21mm ^2

**Electrial resistance measure:**

Methode: Nolato R3 Max:300 mOhm



A

A

B

B

C

C

D

D

E

E

F

F

Art.nr	Material	Lenght	Weight/m	Splice
1152100	8642	Roll	19,5g	No

REVISIONS		
REV.	DATE	DESCRIPTION



Document name  
**Compashield Hollow O-shape**

	Sheet scale <b>10:1</b>	Sheet size <b>A4</b>	Document no. <b>P1521:10:001</b>	Rev no. <b>B</b>	Nolato art. no. <b>1152100</b>	Customer no.
General tolerances <b>SS-ISO 2768 m</b>			Drawn by <b>T.Nilsson</b>		Checked by	
			Reference cad data		Date <b>2010-01-27</b>	
					Part version no.	