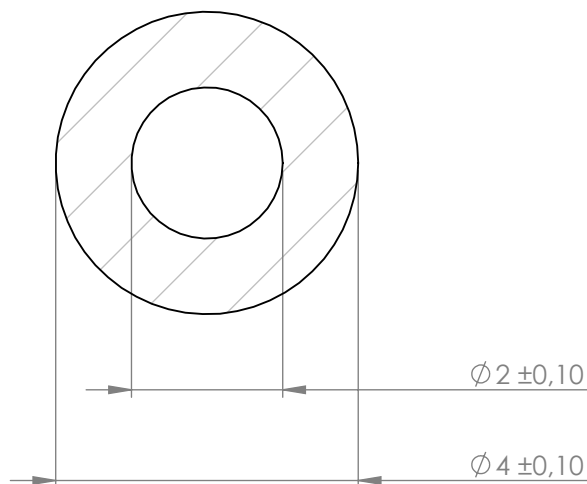
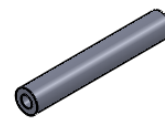


**Compashield® splice quality requirements:**

No reduction of the shielding properties in the splicing area. Splicing rubber thin and conductive.  
 No flash, porosity or excess rubber at the joint after splicing.  
 Max increase of compression force in the splicing area 5%. No excess splicing rubber inside hollow profiles.  
 Joining point should stand for 10% stretch without mechanical damage

**Cross-section area**9.42mm <sup>2</sup>**Electrial resistance measure:**

Methode: Nolato R3 Max:300 mOhm



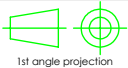
Art.nr	Material	Lenght	Weight/m	Splice
1149300	8642	Roll	20g	No
1149301		1532 ±5mm		Yes
1149302		1522 ±5mm		Yes
1149303		1540 ±5mm		Yes
1149304		1517 ±5mm		Yes

REVISIONS		
REV.	DATE	DESCRIPTION



Document name

Compashield Hollow O-shape

 1st angle projection	Sheet scale 10:1	Sheet size A4	Document no. P1493:10:002	Rev no. B	Nolato art. no. 1149300	Customer no.
	General tolerances  SS-ISO 2768 m		Drawn by T.Nilsson	Checked by	Date 2010-01-14	
			Reference cad data	Part version no.		