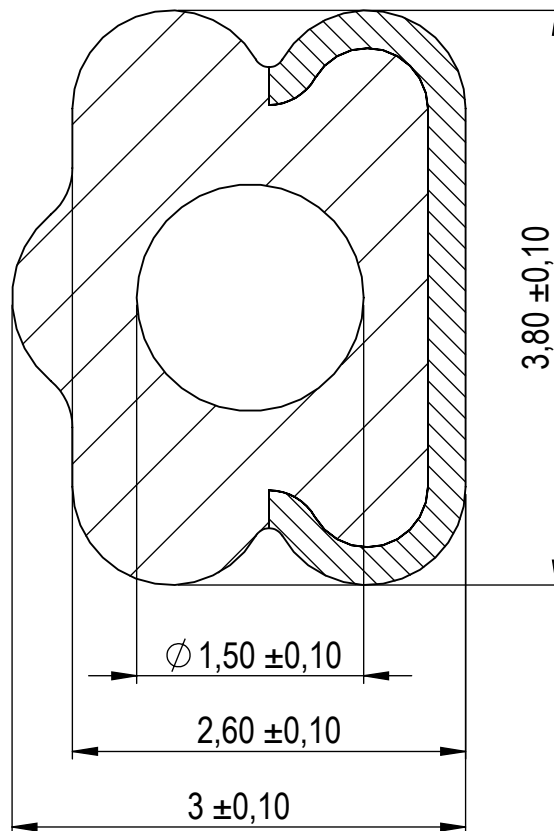
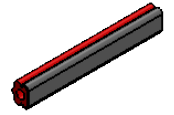


**Compashield® splice quality requirements:**

No reduction of the shielding properties in the splicing area. Splicing rubber thin and conductive.  
 No flash, porosity or excess rubber at the joint after splicing.  
 Max increase of compression force in the splicing area 5%. No excess splicing rubber inside hollow profiles.  
 Joining point should stand for 10% stretch without mechanical damage


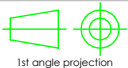
**Cross-section area**7,8 mm<sup>2</sup>**Electrial resistance measure:**

Methode: Nolato R3 Max: 300 mOhm



Art.nr	Material	Length	Weight/m	Splice
1288100	8648/1540	Roll	3,4g/7g	No
1288101		1166 ± 5 mm		Yes

REVISIONS		
REV.	DATE	DESCRIPTION

		Document name Compashield EE		
	Sheet scale 20:1	Sheet size A4	Document no. P2881:17:101	Rev no. B
		Nolato art. no. 1288100		
General tolerances SS ISO 3302-1 M3		Drawn by O.E	Checked by P.Å	Date 2017-04-11
		Reference cad data 1288100 B COMPASHIELD EE		