

Compashield® splice quality requirements:

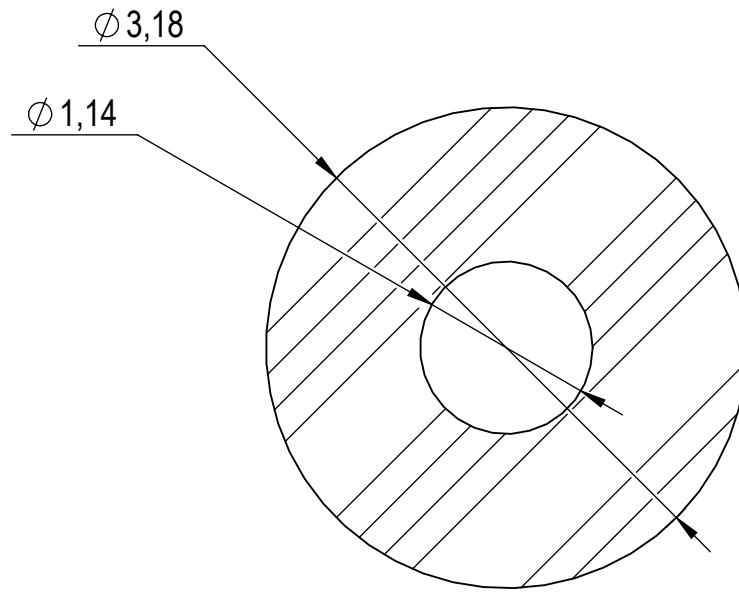
No reduction of the shielding properties in the splicing area. Splicing rubber thin and conductive.
No flash, porosity or excess rubber at the joint after splicing.
Max increase of compression force in the splicing area 5%. No excess splicing rubber inside hollow profiles.
Joining point should stand for 10% stretch without mechanical damage

Cross-section area

6,92 mm²

Electrial resistance measure:

Methode: Nolato R3 Max: N/A



Nolato Silikonteknik

Art.nr	Material	Length	Weight/m	Splice
1285600	1540	Roll	6,92g	No

REVISIONS		
REV.	DATE	DESCRIPTION

	Document name				
	Compashield Hollow O-Shape IP				

	Sheet scale	Sheet size	Document no.	Rev no.	Nolato art. no.
	20:1	A4	P2856 16_101	A	1285600

General tolerances	Drawn by	Checked by	Date
	J.B	P.Å	2017-03-05

Reference cad data
SS ISO 3302-1 M3
1285600 A Compashield Hollow O-Shape IP