

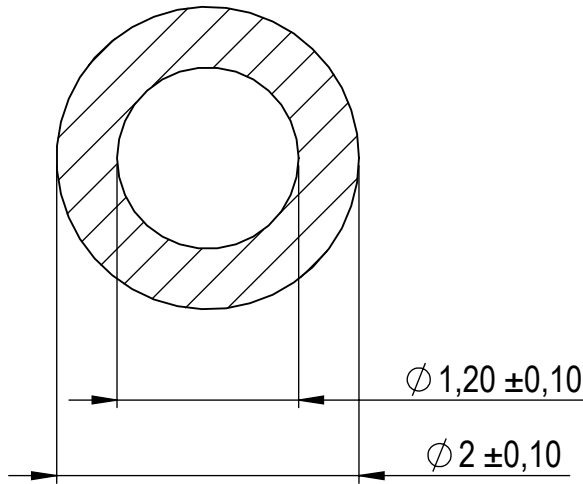
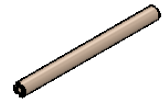
Compashield® splice quality requirements:

No reduction of the shielding properties in the splicing area. Splicing rubber thin and conductive.
No flash, porosity or excess rubber at the joint after splicing.
Max increase of compression force in the splicing area 5%. No excess splicing rubber inside hollow profiles.
Joining point should stand for 10% stretch without mechanical damage

Cross-section area
2 mm ²

Electrial resistance measure:

Methode: Nolato R3 Max: 150 mOhm



Nolato Silikonteknik

Art.nr	Material	Length	Weight/m	Splice
1280100	8651	Roll	4,2g	No
1280101		674 ± 5 mm		Yes

REVISIONS		
REV.	DATE	DESCRIPTION



Document name
Compashield Hollow O-shape

	Sheet scale 20:1	Sheet size A4	Document no. P2801:17:001	Rev no. B	Nolato art. no. 1280100
--	----------------------------	-------------------------	-------------------------------------	---------------------	-----------------------------------

General tolerances	Drawn by O.E	Checked by K.L	Date 2017-01-05
--------------------	------------------------	--------------------------	---------------------------

SS ISO 3302-1 M3	Reference cad data 1280100 B Compashield Hollow O-shape
------------------	---