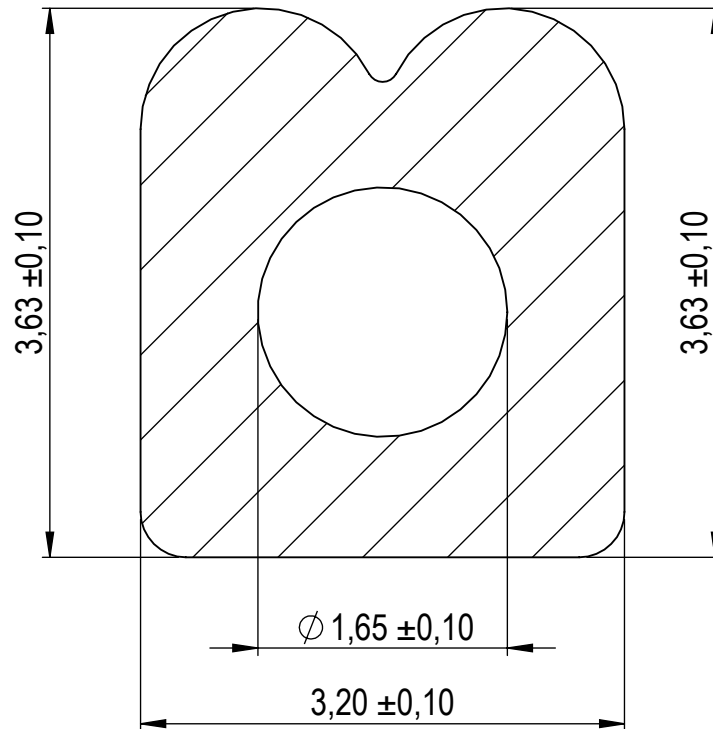
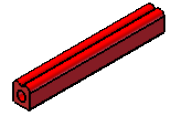


Compashield® splice quality requirements:

No reduction of the shielding properties in the splicing area. Splicing rubber thin and conductive.
 No flash, porosity or excess rubber at the joint after splicing.
 Max increase of compression force in the splicing area 5%. No excess splicing rubber inside hollow profiles.
 Joining point should stand for 10% stretch without mechanical damage

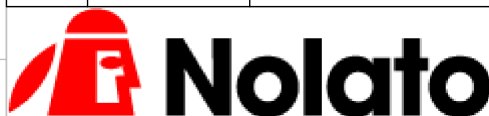
Cross-section area8,9 mm²**Electrial resistance measure:**

Methode: Nolato R3 Max: N/A



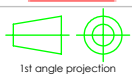
Art.nr	Material	Length	Weight/m	Splice
1272900	1540	Roll	9,8g	No
1272901		797 ± 2 mm		Yes

REVISIONS		
REV.	DATE	DESCRIPTION



Document name

Compashield Special Profile



1st angle projection

Sheet scale
20:1Sheet size
A4Document no.
P2729:16:001Rev no.
ANalato art. no.
1272900

General tolerances

Drawn by

O.E

Checked by

V.I

Date

2015-09-27

SS ISO 3302-1 M3

Reference cad data

1272900 A Compashield Special Profile