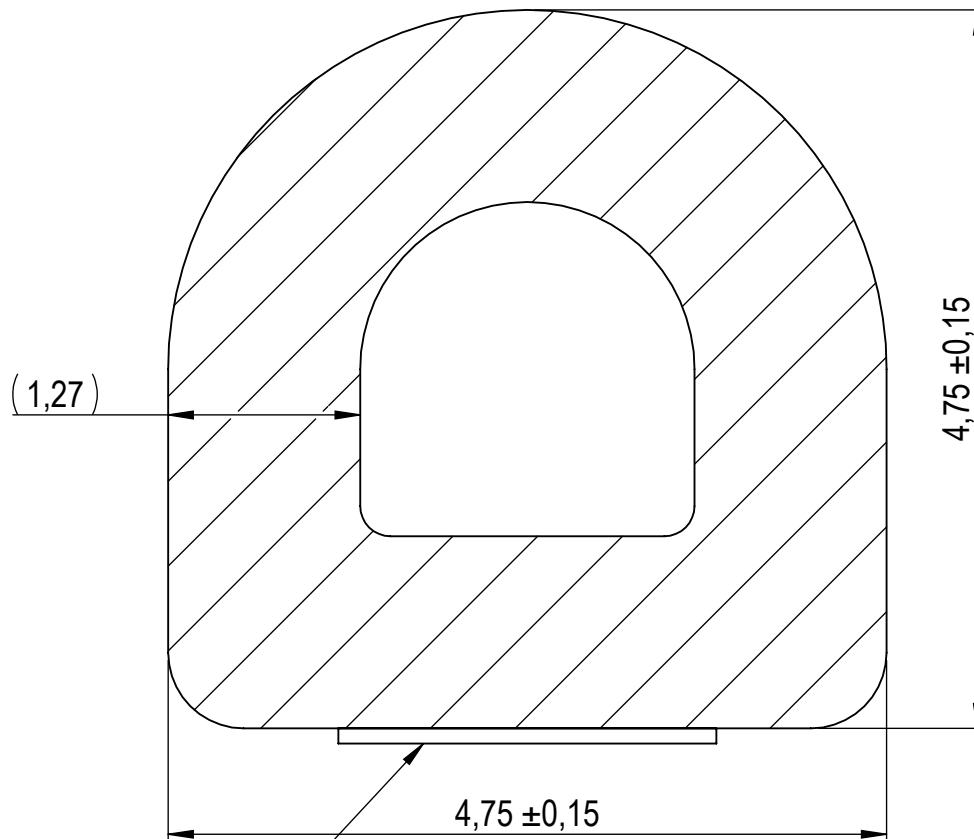


Compashield® splice quality requirements:

No reduction of the shielding properties in the splicing area. Splicing rubber thin and conductive.
 No flash, porosity or excess rubber at the joint after splicing.
 Max increase of compression force in the splicing area 5%. No excess splicing rubber inside hollow profiles.
 Joining point should stand for 10% stretch without mechanical damage

Cross-section area15,69 mm²**Electrial resistance measure:**


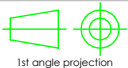
Methode: Nolato R3 Max: 300 mOhm



Non-conductive tape
 Width 2,5 mm

Art.nr	Material	Length	Weight/m	Splice
1271700	8642	Roll	33 g	No
1271701		236 ± 2mm		Yes

REVISIONS				
REV.	DATE	DESCRIPTION		

		Document name		
		Compashield Hollow D-shape		
	Sheet scale 20:1	Sheet size A4	Document no. P2717:16:001	Rev no. B
		Nolato art. no. 1271700		
General tolerances		Drawn by K.L	Checked by P.Å	Date 2015-03-05
SS ISO 3302-1 M3		Reference cad data 1271700 B COMPASHIELD HOLLOW D-SHAPE		