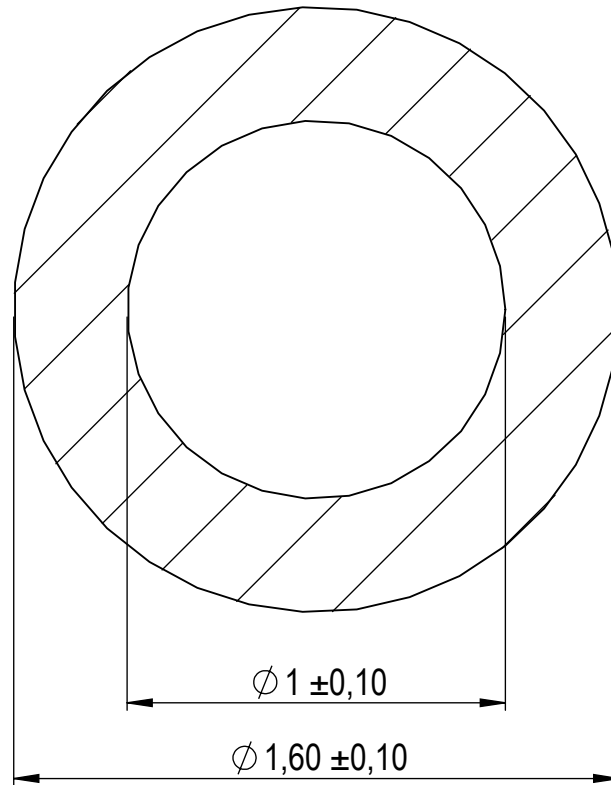


**Compashield® splice quality requirements:**

No reduction of the shielding properties in the splicing area. Splicing rubber thin and conductive.  
 No flash, porosity or excess rubber at the joint after splicing.  
 Max increase of compression force in the splicing area 5%. No excess splicing rubber inside hollow profiles.  
 Joining point should stand for 10% stretch without mechanical damage

**Cross-section area**1,23 mm<sup>2</sup>**Electrial resistance measure:**

Methode: Nolato R3 Max: N/A

 $\varnothing 1 \pm 0,10$  $\varnothing 1,60 \pm 0,10$ 

Art.nr	Material	Length	Weight/m	Splice
1269800	1540	Roll	1,35g	No
1269801		143 ± 2 mm		Yes
1269802		249 ± 3 mm		Yes
1269803		292 ± 3 mm		Yes
1269804		457 ± 3 mm		Yes
1269805		606 ± 5 mm		Yes
1269806		724 ± 5 mm		Yes
1269807		716 ± 5 mm		Yes

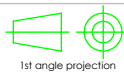
## REVISIONS

REV.	DATE	DESCRIPTION

**Nolato**

Document name

Compashield Hollow O-shape



1st angle projection

Sheet scale  
50:1Sheet size  
A4Document no.  
P2698:16:001Rev no.  
BNolato art. no.  
1269800

General tolerances

Drawn by  
O.EChecked by  
P.ÅDate  
2015-08-23

SS ISO 3302-1 M3

Reference cad data

1269800 A Compashield Hollow O-shape