

**Compashield® splice quality requirements:**

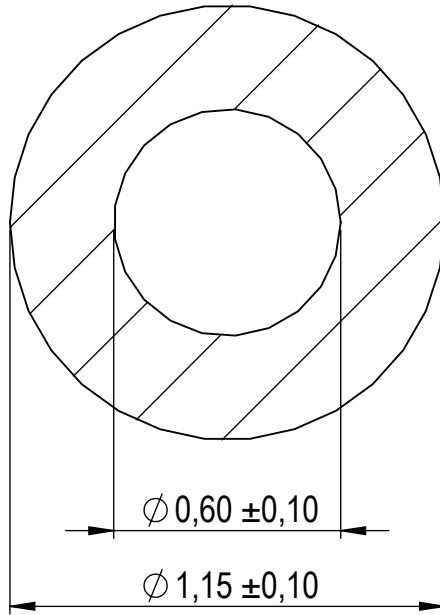
No reduction of the shielding properties in the splicing area. Splicing rubber thin and conductive.  
No flash, porosity or excess rubber at the joint after splicing.  
Max increase of compression force in the splicing area 5%. No excess splicing rubber inside hollow profiles.  
Joining point should stand for 10% stretch without mechanical damage

**Cross-section area**

0,76 mm<sup>2</sup>

**Electrial resistance measure:**

Methode: Nolato R3 Max: N/A

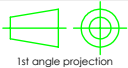


Nolato Silikonteknik

Art.nr	Material	Length	Weight/m	Splice
1267100	1540	Roll	0,83g	No
1267101		92 ±2 mm		Yes
1267102		488 ±4 mm		Yes

REVISIONS		
REV.	DATE	DESCRIPTION

 **Nolato** Document name: **Compashield Hollow O-shape**

	Sheet scale <b>50:1</b>	Sheet size <b>A4</b>	Document no. <b>P2671:16:001</b>	Rev no. <b>A</b>	Nolato art. no. <b>1267100</b>
---	----------------------------	-------------------------	-------------------------------------	---------------------	-----------------------------------

General tolerances	Drawn by <b>O.E</b>	Checked by <b>V.I</b>	Date <b>2015-07-06</b>
--------------------	------------------------	--------------------------	---------------------------

SS ISO 3302-1 M3	Reference cad data <b>1267100 A Compashield Hollow O-shape</b>
------------------	---