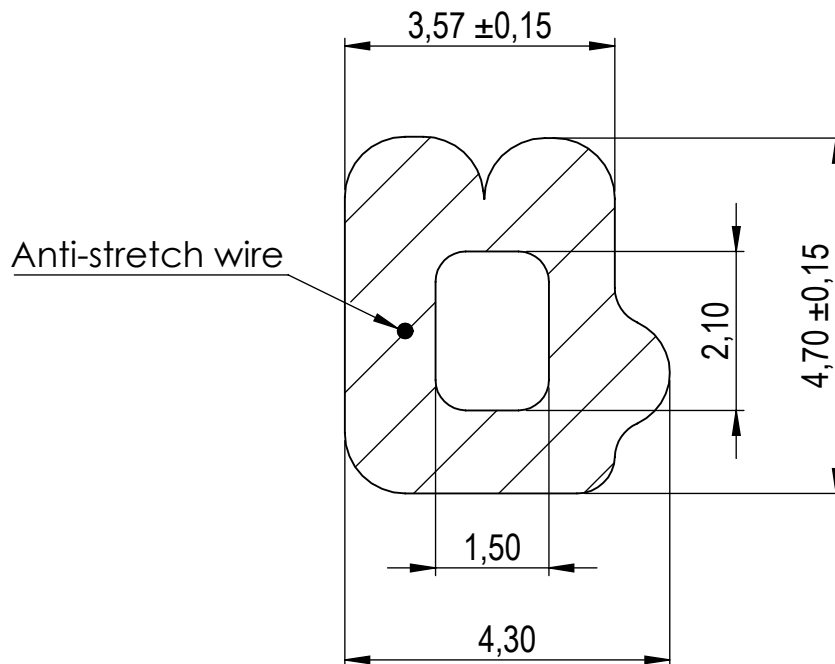


**Compashield® splice quality requirements:**

No reduction of the shielding properties in the splicing area. Splicing rubber thin and conductive.  
 No flash, porosity or excess rubber at the joint after splicing.  
 Max increase of compression force in the splicing area 5%. No excess splicing rubber inside hollow profiles.  
 Joining point should stand for 10% stretch without mechanical damage

**Cross-section area**13,95 mm<sup>2</sup>**Electrial resistance measure:**

Methode: Nolato R3 Max: N/A



Art.nr	Material	Length	Weight/m	Splice
6900044	Steelwire			
1254200	1540	Roll	15,4	No
1254201		1450 ± 3 mm		Yes
1254202		1208,8 ± 3 mm		Yes
1254203		1210,3 ± 5 mm		Yes

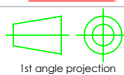
## REVISIONS

REV.	DATE	DESCRIPTION

**Nolato**

Document name

Compashield Special Profile



1st angle projection

Sheet scale  
10:1Sheet size  
A4Document no.  
P2542:16:001Rev no.  
DNolato art. no.  
1254200

General tolerances

Drawn by  
S.MChecked by  
P.ÅDate  
2015-05-24

SS ISO 3302-1 M3

Reference cad data

1254200 A Compashield Special Profile