

Compashield® splice quality requirements:

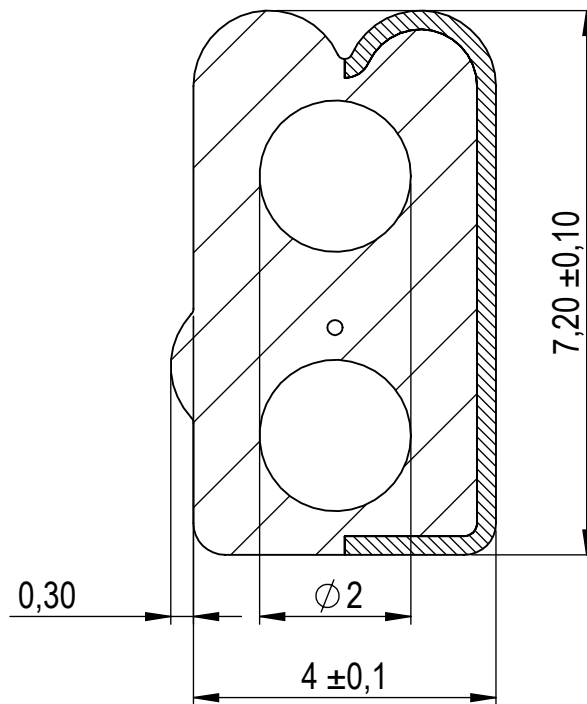
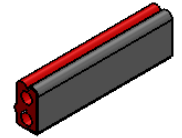
No reduction of the shielding properties in the splicing area. Splicing rubber thin and conductive.
No flash, porosity or excess rubber at the joint after splicing.
Max increase of compression force in the splicing area 5%. No excess splicing rubber inside hollow profiles.
Joining point should stand for 10% stretch without mechanical damage

Cross-section area

21,9 mm²

Electrial resistance measure:

Methode: Nolato R3 Max: 300 mOhm



Nolato Silikonteknik

Art.nr	Material	Length	Weight/m	Splice
1254100	8648/1540	Roll	6,3g/21g	No

REVISIONS		
REV.	DATE	DESCRIPTION

	Document name				
	Compashield EE				

	Sheet scale	Sheet size	Document no.	Rev no.	Nolato art. no.
	10:1	A4	P2541:15:001	A	1254100

General tolerances	Drawn by	Checked by	Date
SS ISO 3302-1 M3	O.E	P.Å	2015-11-09

Reference cad data
1254100 A Compashield EE