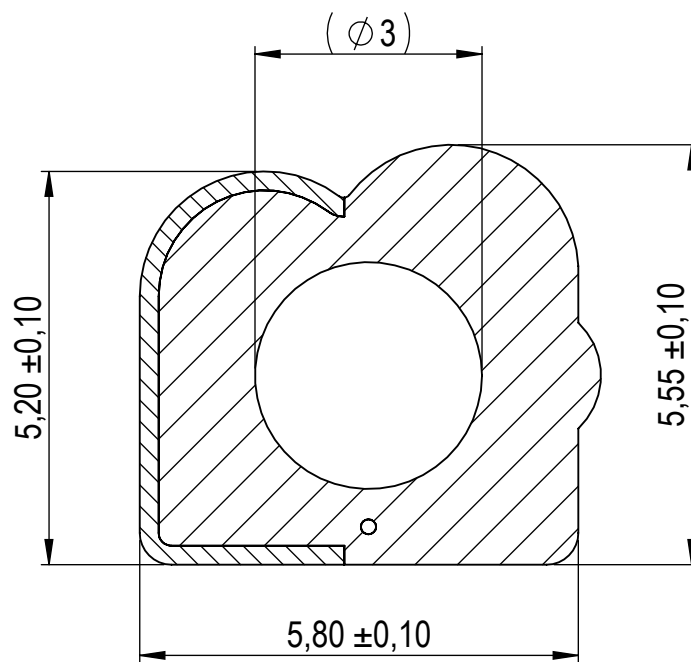
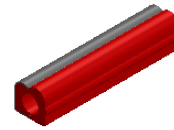


Compashield® splice quality requirements:

No reduction of the shielding properties in the splicing area. Splicing rubber thin and conductive.
 No flash, porosity or excess rubber at the joint after splicing.
 Max increase of compression force in the splicing area 5%. No excess splicing rubber inside hollow profiles.
 Joining point should stand for 10% stretch without mechanical damage

Cross-section area23 mm²**Electrial resistance measure:**

Methode: Nolato R3 Max: 300mOhm



Art.nr	Material	Length	Weight/m	Splice
1252100	8648/1540	Roll	5,65/23 g	No
1252101	8648/1540	1450 ± 2 mm	5,65/23 g	Yes

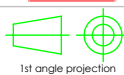
REVISIONS

REV.	DATE	DESCRIPTION

**Nolato**

Document name

Compashield EE



1st angle projection

Sheet scale
10:1Sheet size
A4Document no.
P2521:15:001Rev no.
CNolato art. no.
1252100

General tolerances

Drawn by
K.LChecked by
P.ÅDate
2015-09-29

SS ISO 3302-1 M3

Reference cad data

1252100 A Compashield EE