

Compashield® splice quality requirements:

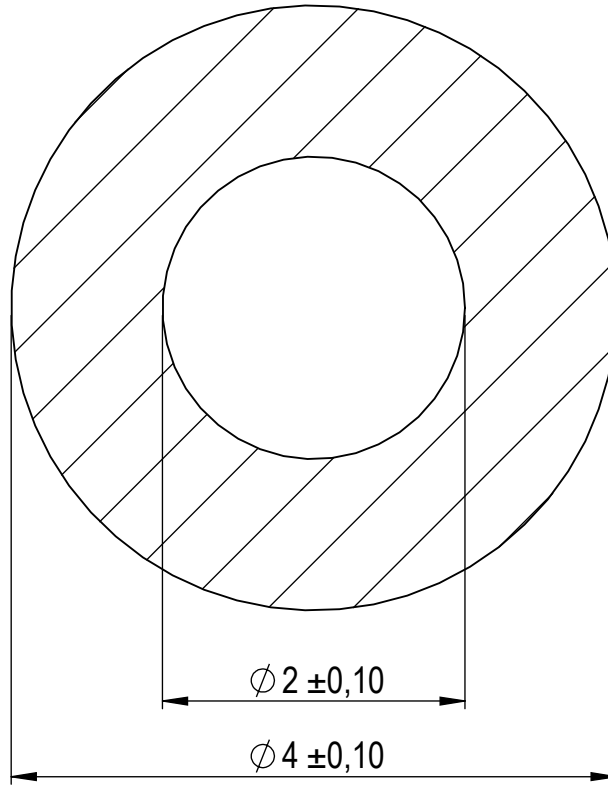
No reduction of the shielding properties in the splicing area. Splicing rubber thin and conductive.
No flash, porosity or excess rubber at the joint after splicing.
Max increase of compression force in the splicing area 5%. No excess splicing rubber inside hollow profiles.
Joining point should stand for 10% stretch without mechanical damage

Cross-section area

9,43 mm²

Electrial resistance measure:


Methode: Nolato R3 Max: N/A

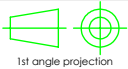


Nolato Silikonteknik

Art.nr	Material	Length	Weight/m	Splice
1247300	1540	Roll	10,4g	No
1247301		1505 ± 5 mm		Yes

REVISIONS		
REV.	DATE	DESCRIPTION

 **Nolato** Document name: **Compashield Hollow O-shape**

	Sheet scale 20:1	Sheet size A4	Document no. P2473:15:001	Rev no. A	Nolato art. no. 1247300
General tolerances SS ISO 3302-1 M3			Drawn by O.E	Checked by J.B	Date 2015-07-30
			Reference cad data 1247300 A Compashield Hollow O-shape		