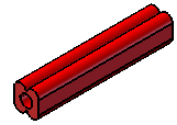


Compashield® splice quality requirements:

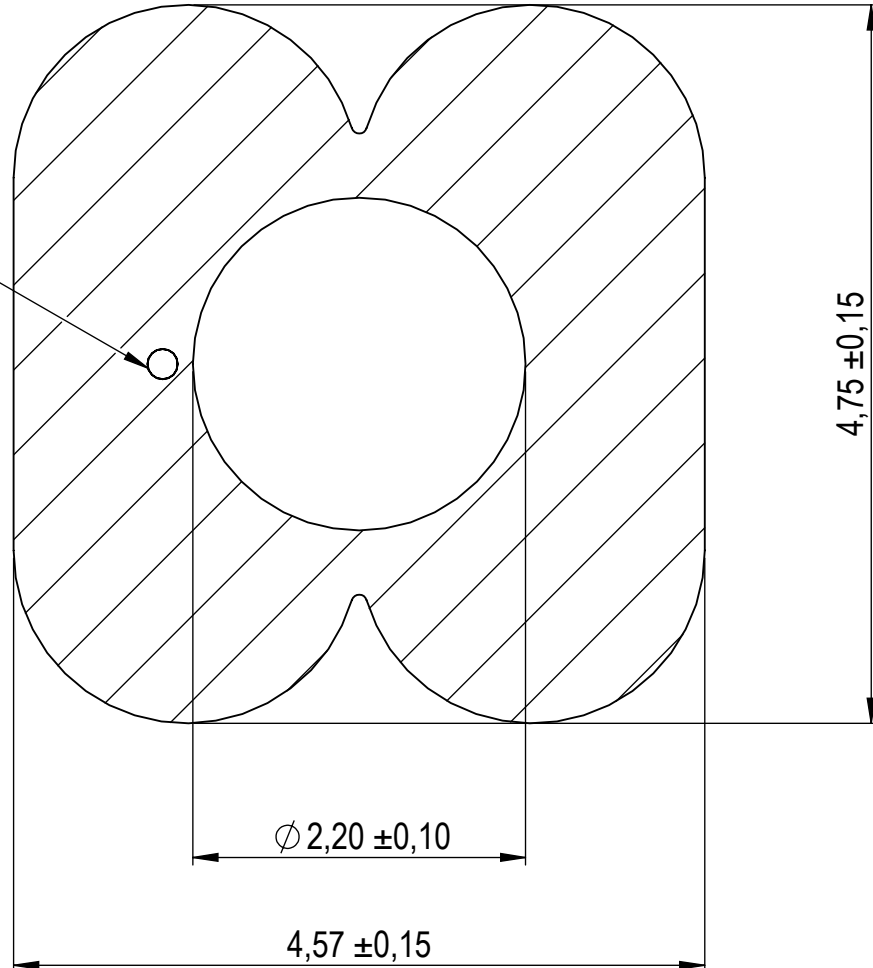
No reduction of the shielding properties in the splicing area. Splicing rubber thin and conductive.
 No flash, porosity or excess rubber at the joint after splicing.
 Max increase of compression force in the splicing area 5%. No excess splicing rubber inside hollow profiles.
 Joining point should stand for 10% stretch without mechanical damage

Cross-section area15,68 mm²**Electrial resistance measure:**

Methode: Nolato R3 Max: N/A



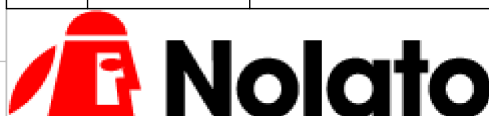
Steelwire for antistretch



Art.nr	Material	Length	Weight/m	Splice
6900044	Steelwire			
1247100	1540	Roll	17g	No
1247101		1570 ±5 mm		Yes
1247102		1588 ±5 mm		Yes

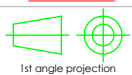
REVISIONS

REV.	DATE	DESCRIPTION



Document name

Compashield Special Profile

Sheet scale
20:1Sheet size
A4Document no.
P2471:15:001Rev no.
ANolato art. no.
1247100

General tolerances

Drawn by
O.EChecked by
J.BDate
2015-07-21

SS ISO 3302-1 M3

Reference cad data

1247100 A Compashield Special Profile