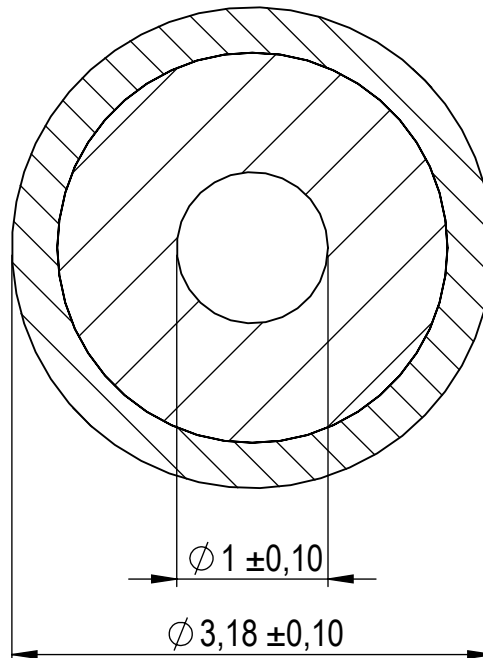


Compashield® splice quality requirements:

No reduction of the shielding properties in the splicing area. Splicing rubber thin and conductive.
 No flash, porosity or excess rubber at the joint after splicing.
 Max increase of compression force in the splicing area 5%. No excess splicing rubber inside hollow profiles.
 Joining point should stand for 10% stretch without mechanical damage

Cross-section area7,16 mm²**Electrial resistance measure:**

Methode: Nolato R3 Max: 300 mOhm



Art.nr	Material	Length	Weight/m	Splice
1244500	8648/1540	Roll	6,5g / 4,9g	No
1244501		475 ±3 mm		No

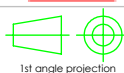
REVISIONS

REV.	DATE	DESCRIPTION

**Nolato**

Document name

Compashield Soft Hollow O-shape



1st angle projection

Sheet scale
20:1Sheet size
A4Document no.
P2445:15:001Rev no.
ANolato art. no.
1244500

General tolerances

Drawn by
O.EChecked by
J.BDate
2015-05-18

SS ISO 3302-1 M3

Reference cad data

1244500 A Compashield Soft Hollow O-shape