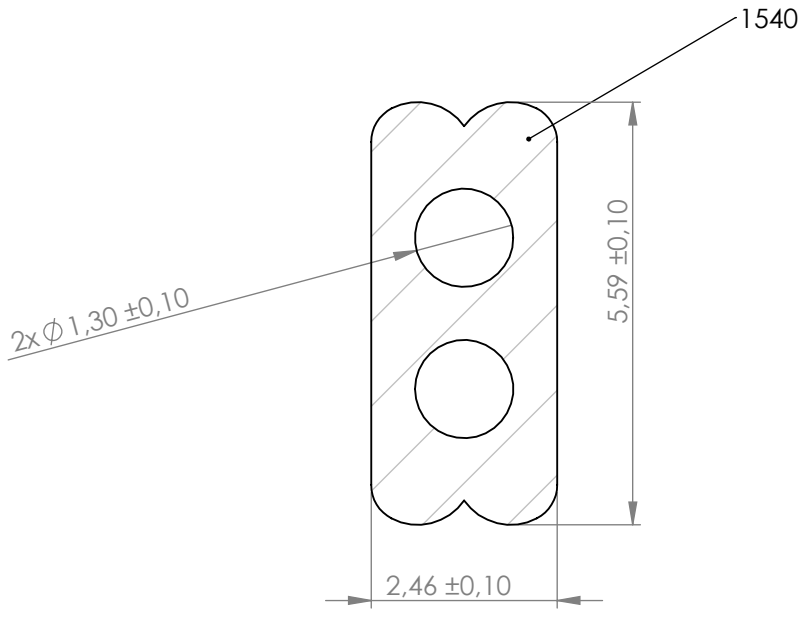
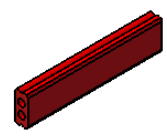


Compashield® splice quality requirements:

No reduction of the shielding properties in the splicing area. Splicing rubber thin and conductive.
No flash, porosity or excess rubber at the joint after splicing.
Max increase of compression force in the splicing area 5%. No excess splicing rubber inside hollow profiles.
Jointing point should stand for 10% stretch without mechanical damage

Cross-section area

2.09mm ^2



REVISIONS		
REV.	DATE	DESCRIPTION

Art.nr	Material	Lenght	Weight/m	Splice
1239600	1540	Roll	12g	No



Document name
Special Profile

	Sheet scale 1:8	Sheet size A4	Document no. P2396 15_001	Rev no. B	Nalato art. no. 1239600	Customer no.
--	--------------------	------------------	------------------------------	--------------	----------------------------	--------------

General tolerances	Drawn by JB	Checked by TN	Date 2015-03-03
--------------------	----------------	------------------	--------------------

SS-ISO 2768 m	Reference cad data	Part version no.
---------------	--------------------	------------------