

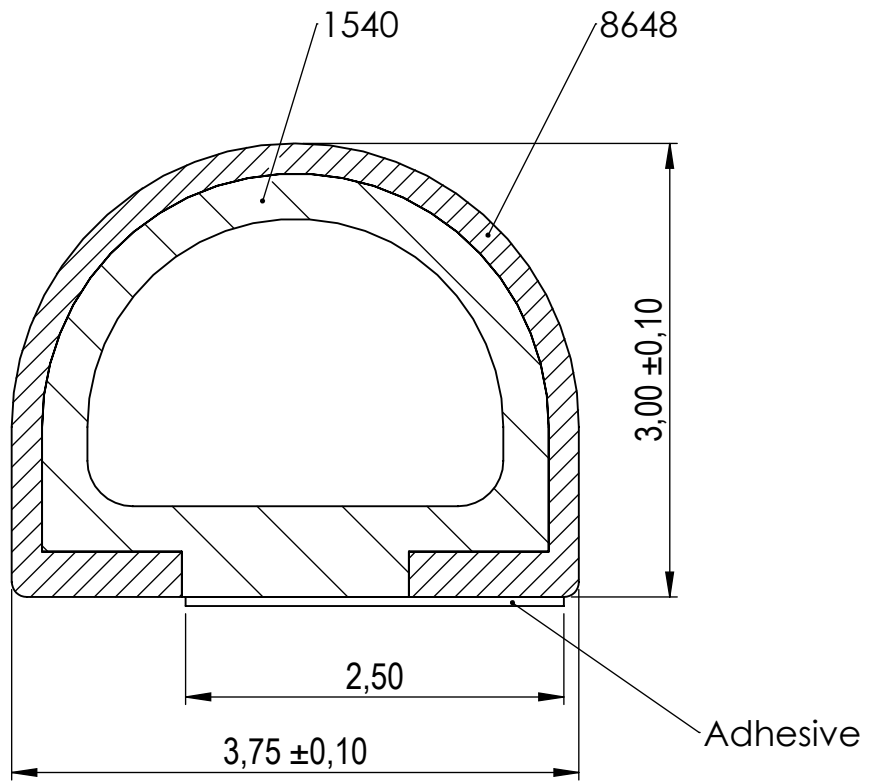
Cross-section area
5,36mm <sup>2</sup>

**Compashield® splice quality requirements:**

No reduction of the shielding properties in the splicing area. Splicing rubber thin and conductive.  
 No flash, porosity or excess rubber at the joint after splicing.  
 Max increase of compression force in the splicing area 5%. No excess splicing rubber inside hollow profiles.  
 Joining point should stand for 10% stretch without mechanical damage

**Electrial resistance measure:**

Methode: Nolato R3 Max:300 mOhm



Nolato Silikonteknik

Art.nr	Material	Length	Weight/m	Splice
1238100	8648/1540	Roll	5g/4g	No

REVISIONS		
REV.	DATE	DESCRIPTION

	Document name	CompaShield D-SHape		
		Sheet scale	Sheet size	Document no.
		20:1	A4	P2381 15_001
				Rev no.
				A
				Nolato art. no.
				1238100

General tolerances	Drawn by	Checked by	Date
	J.B	T.N	2015-02-23
SS ISO 3302-1 M3	Reference cad data		
	1238100 A CompaShield D-SHape		